



Assessed to ISO 9001
LPCB Cert No. 438



SCH 40/80 CPVC
Superior Water
Distribution System
CPVC純水潔淨管路系統



SCH 40/80 CPVC
Advanced Industrial System
CPVC先進工業管路系統



SDR13.5 CPVC
High Performance
Fire Sprinkler System
CPVC高效能消防管路系統



SCH 40/80 UPVC
Piping System
UPVC工業管路系統



SCH 40 Clear PVC
Piping System
PVC透明管路系統



THERMOPLASTIC VALVE
各類塑膠閥門(凡而)



CPVC Sheet
Hi-Impact PVC Sheet
塑膠板材



CPVC/PVC-MI CABLE TRAYS
CPVC/PVC-MI 防火耐熱電纜線槽



環琪塑膠股份有限公司
Hershey Valve Co., Ltd.

435台中市梧棲區中港加工出口區經二路16號
No. 16, Jing 2nd Rd., Wuchi, Taichung, 435 Taiwan, R.O.C.
Tel : +886-4-26595377 Fax : +886-4-26595288 / 26595220
E-mail: info@hershey.com.tw http://www.hershey.com.tw

- 2013年五月印製
- We ask for your understanding if due to product improvements the product and colors in this catalogue have not yet been updated. We also ask for your understanding if due to printing limitations the objects and colors in this catalogue do not match the actual products exactly. 本型錄若有更新時，恕不另行通知
- The products in this catalogue have been registered with the patents office. The reprinting of this publication in any form or the imitation of any of the products described within is expressly forbidden without the express permission of the HERSHEY VALVE CO., LTD. 非經本公司同意不得轉載本刊任何圖文或仿冒

HERSHEY VALVE



Thermoplastic Valves & Fittings 熱塑性工業塑膠閥門與管配件

Thermoplastic Valves & Fittings

塑膠閥門與管配件專業製造





HERSHEY VALVE

Since 1980

- 1980 Established in Chingshui, Taichung, Taiwan.
成立於台中縣清水鎮
- 1982 Moved to current location, Kwanlien industrial District, Wuchi, Taichung, Taiwan.
遷入台中縣梧棲工業區
- 1982 Overseas marketing department set up to promote export sales.
成立國外業務部門，全力拓展外銷
- 1984 Marketing area gradually expanded to the USA, Canada, Australia, Europe and other advanced countries.
產品行銷網逐步遍及美、加、澳、歐洲等工業先進國家與地區
- 1988 The USA and Canada became the major export markets.
美、加地區成為最主要外銷市場
- 1990 The Japan market made the most important export area in Asia.
日本市場業務快速成長，成為亞洲地區最重要外銷據點
- 1993 The Korea Market grew quickly.
韓國市場大幅成長
- 1994 Annual sales exceeded US \$10 millions.
年營業額突破1000萬美金
- 1995 Responding to the market demand, domestic marketing department set up to boost service.
因應客戶要求成立內銷部門
- 1996 The new China factory formally came on line.
大陸上海廠完成試車正式投產
- 1996 Taiwan factory was awarded SGS ISO-9002 certification.
台灣梧棲總廠獲得ISO-9002品保系統認證
- 1996 The main valve products acquired NSF international approval.
主要閥類產品獲得美國NSF國家衛生基金會認證
- 1996 Hershey Valve added product liability insurance.
鑲琪塑膠產品投保產品責任險
- 1997 Shanghai factory was awarded SGS ISO-9002 certification.
大陸上海廠獲得ISO-9002品保系統認證
- 1997 BFGoodrich authorized Hershey Valve as the exclusive user of the CORZAN and BlazeMaster CPVC materials in Taiwan.
BFGoodrich正式授權鑲琪塑膠為台灣獨家CORZAN CPVC、BlazeMaster CPVC原料使用廠商
- 1997 SCH40/80 UPVC, SCH40/80 CORZAN CPVC, SDR13.5 BlazeMaster CPVC piping systems came on line.
SCH40/80 UPVC Piping system, SCH40/80 CORZAN Industrial System, SDR 13.5 BlazeMaster Fire Sprinkler System正式投產
- 1997 Taiwan Wuchi No. 2 factory was founded and the second business department was also established
設立台灣梧棲二廠，成立第二事業部
- 1998 BFGoodrich authorized Hershey Valve as the exclusive user of the FlowGuard CPVC material in Taiwan.
BFGoodrich正式授權鑲琪塑膠為台灣獨家FlowGuard CPVC原料授權使用廠商
- 1998 SCH40 FlowGuard CPVC superior potable water distribution system, SCH40 clear PVC piping system came on line.
SCH40 FlowGuard CPVC純水潔淨管路系統，SCH40 Clear PVC Piping System正式投產
- 1999 The second business department was formally registered as Hershey Industry Co., Ltd. to serve the Taiwan domestic market.
鑲琪第二事業部正式登記為鑲琪工業股份有限公司，專門針對國內市場提供服務
- 1999 Hershey Valve Taiwan and Hershey Industry was awarded LPCB / BSMI ISO-9002.
鑲琪、鑲琪亞榮獲英國LPCB及經濟部標準檢驗局ISO-9002品保系統認證
- 1999 BlazeMaster CPVC fire sprinkler system was certificated by LPCB.
鑲琪BlazeMaster消防管路系統獲得英國LPCB消防安全認證
- 1999 BlazeMaster CPVC fire sprinkler system was approved by National Fire Administration, Ministry of Interior ROC.
鑲琪BlazeMaster消防管路系統榮獲內政部消防署消防安全設備審核可通過
- 2000 Hershey Valve Taiwan new office building started using.
鑲琪塑膠梧棲廠新辦公大樓正式啟用
- 2001 Hershey Valve Taiwan plant expanded with new 2,500 ton Injection machine.
鑲琪塑膠梧棲廠擴建完成，添購2,500噸超大型射出機及高明龍門CNC綜合加工機

- 2002 The new Hershey China Taicang factory came on line.
鑲琪膠膠大陸太倉廠正式試車商業運轉
- 2002 The new Hershey Taiwan Plate & Duct system factory formally came on line.
鑲琪膠膠台灣板材及風管工廠正式試車
- 2002 Hershey Valve Taiwan was awarded ISO 9001:2000 certification.
台灣鑲琪塑膠獲得ISO 9001:2000認證
- 2002 Hershey pipe factory is merged to Hershey factory and become the third Hershey factory.
鑲琪併入鑲琪改為鑲琪三廠
- 2003 Taiwan Hershey starts to manufacture large size of pipe fitting & sheet.
台灣鑲琪塑膠開始製作大尺寸管材、管件與板材
- 2003 The CPVC pipe manufactured by Taiwan Hershey is CNS certificate approved.
台灣鑲琪膠膠CPVC pipe獲得CNS正字標記認證
- 2003 Hershey factory in Shanghai is moved and merged to Taichung factory.
大陸上海廠遷至太倉合併管理
- 2003 The CPVC BlazeMaster pipe & fitting is WRAS certificate approved.
台灣鑲琪CPVC BlazeMaster pipe & fittings獲得英國WRAS認證
- 2004 Hershey Valve CORZAN4910/4911 CPVC Sheet was awarded FM 4910 Certification
台灣鑲琪CORZAN 4910/4911 CPVC板材獲得FM4910正字標記認證
- 2005 Hershey Valve BlazeMaster® Fire Sprinkler Fittings was UL Listed by Underwriters Laboratories Inc.
台灣鑲琪BlazeMaster消防管路系統獲得美國UL消防安全認證
- 2006 Hershey Valve moved to new plant in Taichung, Changkang Industrial Park
台灣鑲琪台中港經濟加工出口區新廠落成，產能和服務範圍大大提升
- 2010 Hershey Taiwan Factory was awarded LPCB ISO9001:2008
台灣鑲琪獲得英國LPCB ISO 9001:2008認證
- 2010 Hershey Taicang factory was awarded ISO9001:2008
太倉鑲琪獲得ISO 9001:2008認證
- 2011 Hershey discontinued to have FM4910 certification effective from January 1st of 2011
鑲琪於一月一日取消再續認證FM4910

In the midst of stiff competition, we have found a clear niche for ourselves where we can exhibit products that strive for perfection.

Group Vision 集團願景

• Hershey Group will be the leader in Asia Pacific for plastic engineering piping systems in industry, plumbing, and fire fighting area

鑲琪集團於亞太地區在供應工業、冷熱水及消防塑膠工程管路系統將會居於領導地位

• Hershey Group will be the representative of CPVC manufacturing and products in Asia Pacific
鑲琪將成為亞太地區CPVC產品及專業製造的代言人

• Hershey Group will work with partners to provide complete engineering system for Asia Pacific customers
鑲琪集團將與策略夥伴合作提供亞太地區客戶完整的工程管路系統設備





HERSHEY VALVE

Material:

- CPVC
- UPVC
- PVC
- PVDF
- PP, PP/Fiberglass
- ABS
- EPDM, FPM, NBR, PTFE

Application:

- Industrial Production
- Chemical Production
- Water Treatment
- Irrigation
- Fish Cultivation
- Pool and Spa
- General Plumbing

Content & Index

VP-200 Series



Various Fittings 各種管件

- VP-200 Compression Tee 三通快速接頭
- VP-210 Compression Coupling 快速接頭
- VP-220 T (Y) type Strainer T(Y) 型過濾器
- VP-230 Expansion Joint 伸縮管
- VP-240 Unions 由令
- VP-250 Blind Flanges 盲法蘭
- VP-260 TS Flanges (Single Piece) 單片式法蘭
- VP-270 二片式法蘭 Van Stone Flanges (Two Pieces)
- VP-289 Rubber Gaskets 橡膠墊片
- Expansion Repair Coupling 伸縮接頭

NEW

VP-300 Series



Ball Valves 球閥

- VP-310, 320, 330, 340 經濟型單邊由令球閥 Economy Single Union Ball Valve
- VP-360, 370 兩片式球閥 Two-piece Ball Valve



VP-600 Series



Union Ball Valves 由令球閥

- VP-620 單邊由令球閥 Single Union Ball Valve
- VP-640 雙邊由令球閥 Double Union Ball Valve
- VP-640 雙邊法蘭球閥 Double Flange Ball Valve
- VP-680, 690 氣動式/電動式雙由令球閥 Pneumatic / Electric Actuator Double Union Ball Valve

VP-700 Series



Diaphragm Valves 隔膜閥

- VP-710 法蘭式隔膜閥 Diaphragm Valve (Flanged)
- VP-720, 730 插管式/由令式隔膜閥 Diaphragm Valve (Spigot, Union - Socket / Threaded)

VP-400 Series



Check Valves 逆止閥

- VP-420, 430 經濟型擺動式(腳閥)逆止閥 Economy Swing Check (Foot) Valve
- VP-440 雙由令球型逆止閥 True Union Ball Check Valve
- VP-450 Swing Check Valve 工業用擺動式逆止閥
- VP-460, 470 單由令球型(腳閥)逆止閥 Ball Check (Foot) Valve
- VP-480, 490 彈簧式(腳閥)逆止閥 Spring Check (Foot) Valve

VP-800 Series



Butterfly Valves 蝶閥

- VP-810 把手式蝶閥 Butterfly Valve (Handle type)
- VP-820 齒輪式蝶閥 Butterfly Valve (Gear Box)
- VP-830 氣動式蝶閥 Pneumatic Actuator Butterfly Valve
- VP-840 電動式蝶閥 Electric Actuator Butterfly Valve

VP-900 Series



Molded-In-Place Ball Valve 開模型球閥

- VP-900, 910 開模型球閥 Compact Ball Valve

Page Index

5	VP-200 Series	
	VP-200 Compression Tee	7
	VP-210 Compression Coupling	9
	VP-220 T (Y) type Strainer	11
	VP-230 Expansion Joint	13
	VP-240 Unions	15
	VP-240(SCH40) Unions	17
	VP-250, 260, 270 Blind Flanges / One-piece (TS) Flanges / Two-pieces (Van Stone) Flanges	19
	VP-289 Rubber Gaskets	23
	Expansion Repair Coupling	25
27	VP-300 Series	
	VP-310, 320, 330, 340 Economy Single Union Ball Valve	29
	VP-360, 370 Two-piece Ball Valve	31
33	VP-400 Series	
	VP-420, 430 Economy Swing Check (Foot) Valve	35
	VP-440 True Union Ball Check Valve	37
	VP-450 Swing Check Valve	39
	VP-460, 470 Ball Check (Foot) Valve	41
	VP-480, 490 Spring Check (Foot) Valve	43
45	VP-600 Series	
	VP-620 Single Union Ball Valve	47
	VP-640 Double Union Ball Valve	49
	VP-640 Double Union Ball Valve (N1 HANDLE)	51
	VP-640 Double Flange Ball Valve	53
	VP-680, 690 Pneumatic / Electric Actuator Double Union Ball Valve	55
57	VP-700 Series	
	VP-710 Diaphragm Valve (Flanged)	59
	VP-720, 730 Diaphragm Valve (Spigot, Union - Socket / Threaded)	61
63	VP-800 Series	
	VP-810 Butterfly Valve (Handle type)	65
	VP-820 Butterfly Valve (Gear Box)	67
	VP-830 Pneumatic Actuator Butterfly Valve	69
	VP-840 Electric Actuator Butterfly Valve	71
73	VP-900 Series	
	VP-900, 910 Compact Ball Valve	75
77	Products Properties	
	REFERENCE RANGE OF TEMPERATURE	
	CHEMICAL RESISTANCE OF MATERIAL	
	BASIC PROPERTIES OF PLASTICS	
	GENERAL INSTALLATION INSTRUCTIONS	

Excellent & Advanced

VP-200 Series

Various Fittings 各種管件

- VP-200
Compression Tee
三通快速接頭
- VP-210
Compression Coupling
快速接頭
- VP-220
T (Y) type Strainer
T(Y) 型過濾器
- VP-230
Expansion Joint
伸縮管
- VP-240
Unions
由令
- VP-250
Blind Flanges
盲法蘭
- VP-260
TS Flanges (Single Piece)
單片式法蘭
- VP-270
Van Stone Flanges (Two Pieces)
二片式法蘭
- VP-289
Rubber Gaskets
橡膠墊片
- Expansion Repair Coupling
伸縮接頭



VP-200 三通快速接頭

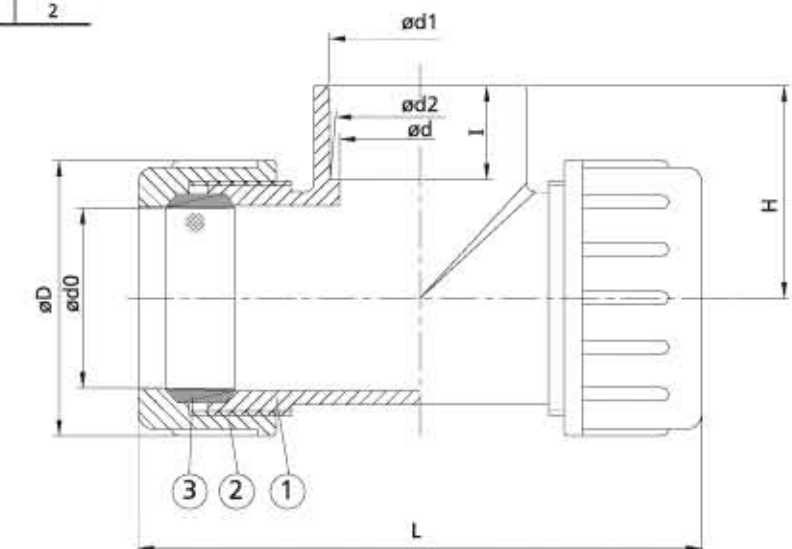
Compression Tee

- Specification: Schedule 40
- Suitable for instant and emergent piping system repair.
- Suitable for IPS standard plastic / metal piping system
- 規格：Schedule 40
- 適用於緊急修復或無法斷水時之換管工程
- 適用於IPS規格之塑膠、金屬管路系統

Type 品號	Size 尺寸	Standard 規格	Material 材質	Seat 墊圈	End Type 接口
VP-200	1/2"~2"	ANSI	PVC	NR	Socket, Threaded
VP-201	1/2"~2"	ANSI	CPVC	NR	Socket, Threaded

Nom.	SIZE	15mm (1/2")	20mm (3/4")	25mm (1")	32mm (1-1/4")	40mm (1-1/2")	50mm (2")
D		47	52	61	72	80	92
D1		30	36	43	51	58	71
d		16.5	20.5	28	35	42.5	54
d0		21	26.47	33.2	42	48	60.1
d1		21.54	26.87	33.65	42.42	48.56	60.63
d2		21.23	26.57	33.27	42.04	48.11	60.17
L		127	132	143.5	159	171.5	189
H		36.5	44.5	55	61	68.5	71
I		22.22	26	31.6	34.7	37.9	31.3
NPT thd./in.		14	14	11.5	11.5	11.5	11.5

NO.	PART	MATERIAL	QTY
1	BODY 本體	UPVC, CPVC	1
2	UNION NUT 螺帽	UPVC, CPVC	2
3	SEAT 墊圈	NR	2



VP-210 快速接頭 Compression Coupling

- Specification: Schedule 40 / CTS
- Suitable for instant and emergent piping system repair.
- Suitable for IPS / CTS standard plastic piping system
- 規格：Schedule 40 / CTS
- 適用緊急搶修或無法停機時之換管工程
- 適用IPS或CTS鋼管規格之塑膠管路系統

Type 品號	Size 尺寸	Standard 規格	Material 材質	Seat 墊圈
VP-210	3/8"~6"	ANSI, JIS, BS (IPS)	PVC	NR
VP-211	1/2"~1"	ANSI (CTS)	CPVC	NR



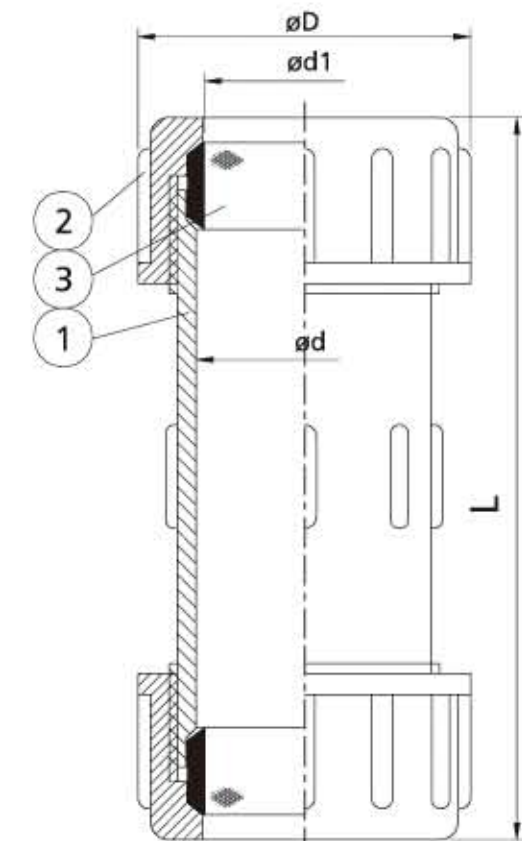
I.P.S.DIM.

Nom.	SIZE	10mm (3/8")	15mm (1/2")	20mm (3/4")	25mm (1")	32mm (1-1/4")	40mm (1-1/2")	50mm (2")	65mm (2-1/2")	80mm (3")	100mm (4")	150mm (6")
D		33	47	53	61	73	80	92	115	134	161	223
d		18	23	30	36	46	52	65	64	92	118	174
d1	JIS	17.8	21.8	25.8	31.8	37.8	47.8	59.8	75.8	88.8	113.8	166.0
	ANSI	16.8	21.0	26.47	33.2	42.0	48.0	60.1	72.8	88.7	114.1	168.0
	DIN	16.8	21.0	26.4	33.2	41.8	47.9	60.0	75.0	88.5	113.9	167.8
L		118	128	135	142	153	173	195	252	276	303	285

NO.	PART	MATERIAL	Q'TY
1	BODY 本體	UPVC, CPVC	1
2	UNION NUT 螺帽	UPVC, CPVC	2
3	SEAT 墊圈	NR	2

C.T.S.DIM.

Nom.	SIZE	15mm (1/2")	20mm (3/4")	25mm (1")
D		33	47	53
d		18	24	30
d1		16.08	22.45	28.83
L		114	127	135



VP-220 T (Y)型過濾器

T (Y) type Strainer

● Filter options include several mesh sizes with easy and rapid interchangeability.

● Filter Specification :

T type-SUS 304 / 316 :

60 / 40 / 20 mesh

PP/PVC/CPVC : 3~8mm

Y type-SUS 304 / 316 :

60 / 40 / 20 mesh

PE : 20 mesh

● 濾網拆卸清洗方便

● 濾網規格 :

T型-SUS 304 / 316,

60 / 40 / 20 mesh

PP/PVC/CPVC

3~8mm孔目等客戶訂製規格

Y型-PE / 20 mesh

SUS / 40 / 60 mesh

註 : Comparative Particle size

20 Mesh ≈ 0.034 inches

40 Mesh ≈ 0.015 inches

60 Mesh ≈ 0.0092 inches

Type 品號	Size 尺寸	Standard 規格	Material 材質	Gasket / O-ring 墊圈 / O環	End type 接口
VP-220 T type	2"~8"	ANSI, JIS, DIN	PVC	EPDM, PTFE, FPM	Flanged
VP-220 Y type	1/2"~2"	ANSI, JIS, DIN	PVC	EPDM, FPM	Union, Socket, Flanged
VP-221 T type	2"~8"	ANSI, JIS, DIN	CPVC	EPDM, PTFE, FPM	Flanged
VP-221 Y type	1/2"~2"	ANSI, JIS, DIN	CPVC	EPDM, FPM	Union, Socket, Flanged



T-type Strainer DIM.

Nom.	SIZE	50mm	65mm	80mm	100mm	150mm	200mm
		(2")	(2-1/2")	(3")	(4")	(6")	(8")
JIS	D	155	175	185	210	285	330
	D1	120	140	150	175	240	290
	n-øe	4-ø19	4-ø19	8-ø19	8-ø19	8-ø23	12-ø23
ANSI	D	152	178	191	229	285	343
	D1	121	140	152	191	241	299
	n-øe	4-ø19	4-ø19	4-ø19	8-ø19	8-ø23	8-ø23
DIN	D	165	185	200	220	285	343
	D1	125	145	160	180	240	295
	n-øe	4-ø18	4-ø18	8-ø18	8-ø18	8-ø22	8-ø22
L		200	240	260	300	400	500
H		165	168.5	169	217	285	338
T		20	22	22	24	26	30

NO.	PART	MATERIAL	QTY
1	BODY 本體	UPVC, CPVC	1
2	BONNET 上蓋	UPVC, CPVC	1
3	90° ELL 90度彎頭	UPVC, CPVC	1
4	INNER BODY 內濾網本體	UPVC, CPVC	1
5	OUTER BODY 外濾網本體	UPVC, CPVC	1
6	GASKET 本體墊圈	EPDM, FPM, PTFE	1
7	FILTER 濾網	PP, SUS	1
8	BOLT SETS 螺絲組	STEEL-SUS,304	8~16

Y-type Strainer (Flanged) DIM.

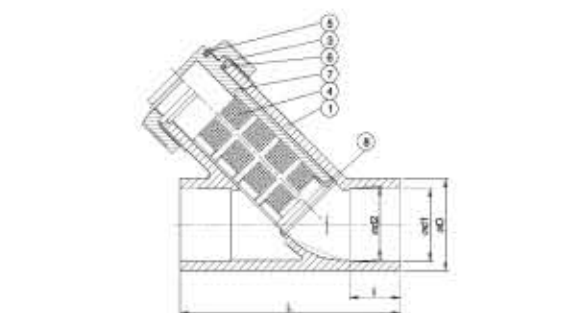
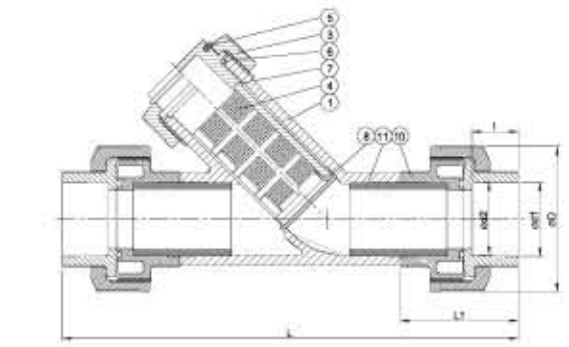
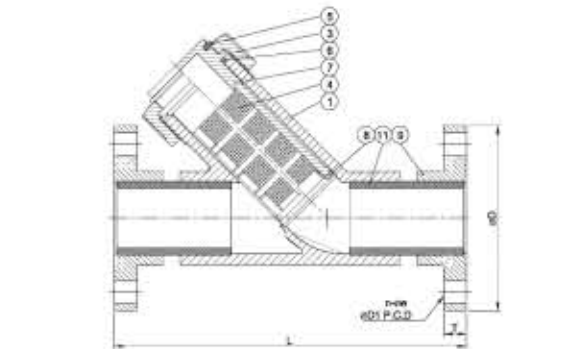
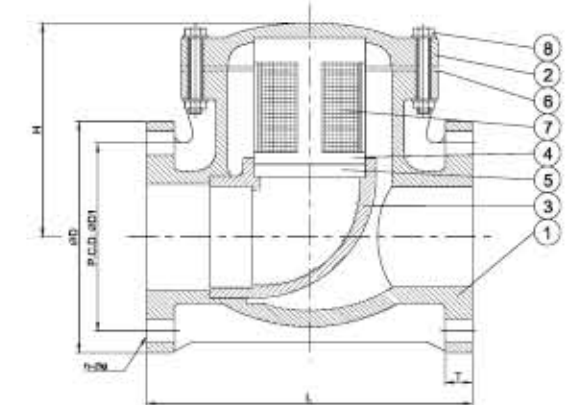
Nom.	SIZE	15mm	20mm	25mm	32mm	40mm	50mm
		(1/2")	(3/4")	(1")	(1-1/4")	(1-1/2")	(2")
JIS	D	95	100	125	135	140	155
	D1	70	75	90	100	105	120
	L	160	175	202	245	247	292
	T	14	15	15	16	16	20
	n-øe	4-ø15	4-ø15	4-ø19	4-ø19	4-ø19	4-ø19
ANSI	D	89	98	108	117	127	152
	D1	61	70	79	89	98	121
	L	154	170	200	245	250	290
	T	11	12	14	16	17.5	19
	n-øe	4-ø16	4-ø16	4-ø16	4-ø16	4-ø16	4-ø19

Y-type Strainer (Union) DIM.

Nom.	SIZE	15mm	20mm	25mm	32mm	40mm	50mm
		(1/2")	(3/4")	(1")	(1-1/4")	(1-1/2")	(2")
JIS	d1	22.30	26.30	32.33	38.43	48.46	60.56
	d2	21.70	25.70	31.67	37.57	47.54	59.44
	l	22.22	25.4	28.58	31.75	34.93	38.10
ANSI	d1	21.54	26.87	33.65	42.42	48.56	60.63
	d2	21.23	26.57	33.27	42.04	48.11	60.17
	l	22.22	25.40	28.58	31.75	34.93	38.10
DIN	d1	20.30	25.30	32.30	40.30	50.30	63.30
	d2	19.90	24.90	31.90	39.90	49.90	62.90
	l	16	19	22	26	31	38
D		46.5	55	66	82	98	120
L		202	233	261	324	334	377
L1		56	64	72	87	90	98

Y-type Strainer (Socket) DIM.

Nom.	SIZE	15mm	20mm	25mm	32mm	40mm	50mm
		(1/2")	(3/4")	(1")	(1-1/4")	(1-1/2")	(2")
ANSI	d1	21.54	26.87	33.65	42.42	48.56	60.63
	d2	21.23	26.57	33.27	42.04	48.11	60.17
	l	22.22	25.40	28.58	31.75	34.93	38.10
D		30	36	44	61	61	77
L		90	105	117	150	154	181



NO.	PART	MATERIAL	QTY
1	BODY 本體	UPVC, CPVC	1
3	UNION NUT 螺帽	UPVC, CPVC	1
4	FILTER 濾網	PP, PE, SUS	1
5	SET RING 卡環	UPVC, CPVC	1
6	O-RING 本體O環	EPDM, FPM	1
7	FILTER HOLDER 濾網架	UPVC, CPVC	1
8	RETAINING RING 蓋子	UPVC, CPVC	1
9	FLANGE 法蘭片	UPVC, CPVC	2
10	UNION 由令	UPVC, CPVC	2
11	PIPE 直管	UPVC, CPVC	2

VP-230 伸縮管 Expansion Joint

- Suitable for straight run system with length over 30m, and with temperature change is greater than 17°C (30°F)
- Expansion or contraction of thermal plastic pipe:

$$\Delta L = y(T_{max} - T_{min})L$$

where ΔL = expansion of pipe in feet or meters

y = coefficient of thermal expansion in

in/in/°F or m/m/°C

(CPVC = 3.4×10^{-5} in/in/°F,

PVC = 3.0×10^{-5} in/in/°F)

T_{max} = maximum temperature in °F or °C

T_{min} = minimum temperature in °F or °C

L = length of pipe run in feet or meters

- 適用直管長超過30m且流體溫度變化量超過17°C (30°F) 的環境
- 安裝時，依當時溫度設定伸縮管上溫度刻度即可，安裝方便。

伸縮管伸縮距離：150mm

$$\Delta L = Y (T_{max} - T_{min}) L$$

T_{max} ：最高溫度 (°F or °C)

T_{min} ：最低溫度 (°F or °C)

Y：熱膨脹係數

CPVC (Type IV Grade I)

3.4×10^{-5} in / in / °F

PVC (Type I Grade I)

3.0×10^{-5} in / in / °F

L：管道長度 (in or cm)

ΔL ：管熱膨脹距離 (in or cm)

ΔL (單位：mm)

150 = 所需安裝伸縮管數量

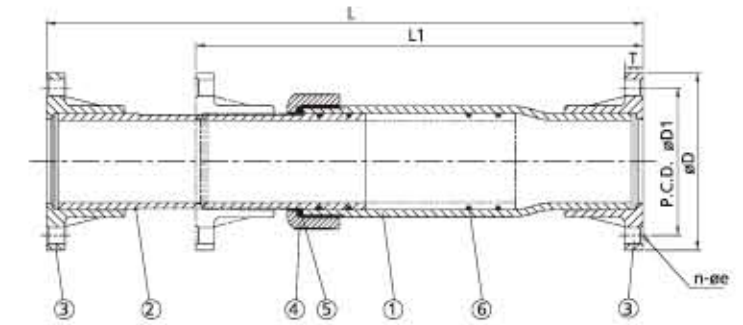
Type 品號	Size 尺寸	Standard 規格	Material 材質	O-ring O環	End type 接口
VP-230	1/2"~2"	ANSI	PVC	EPDM, FPM	Socket, Threaded
VP-230 Fabricated	2-1/2"~12"	ANSI, JIS	PVC	EPDM, FPM	Flanged
VP-231	1/2"~2"	ANSI	CPVC	EPDM, FPM	Socket, Threaded
VP-231 Fabricated	2-1/2"~12"	ANSI, JIS,	CPVC	EPDM, FPM	Flanged



Flange type

Nom.	SIZE	65mm	80mm	100mm	150mm	200mm	250mm	300mm
		(2-1/2")	(3")	(4")	(6")	(8")	(10")	(12")
JIS	D	175	185	210	280	330	400	445
	D1	140	150	175	240	290	355	400
	n-øe	4-ø19	8-ø19	8-ø19	8-ø23	12-ø23	12-ø25	16-ø25
ANSI	D	178	191	229	280	343	406	481
	D1	140	152	191	241	299	362	432
	n-øe	4-ø19	4-ø19	8-ø19	8-ø23	8-ø23	12-ø25	12-ø25
L		565	580	680	770	835	880	1050
L1		415	430	530	620	685	730	900
T	JIS	24	25	28	32	36	42	42
	ANSI	22	22	22	26	28	30	30

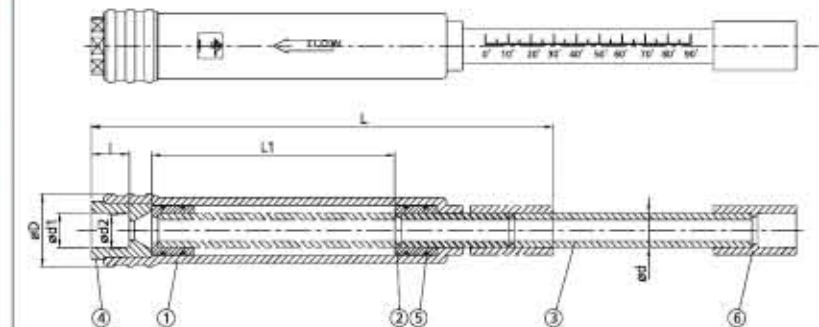
NO.	PART	MATERIAL	QTY
1	BODY 本體	UPVC.CPVC	1
2	SLIDER BLOCK 滑塊	UPVC.CPVC	1
3	FLANGE 法蘭片	UPVC.CPVC	2
4	UNION NUT 螺帽	UPVC.CPVC	1
5	GLAND 卡環	UPVC.CPVC	1
6	O-RING 滑塊O環	EPDM.FPM	3



Socket / Threaded type

Nom.	SIZE	15mm	20mm	25mm	32mm	40mm	50mm
		(1/2")	(3/4")	(1")	(1-1/4")	(1-1/2")	(2")
ANSI	d1	21.54	26.87	33.65	42.42	48.56	60.63
	d2	21.23	26.57	33.27	42.04	48.11	60.17
	I	24	27.4	30.58	34.75	37.93	41.1
D		46	54	64	76	76	89
d		21.3	26.7	33.4	42.2	48.3	60.3
L		290	305	320	343	350	369
L1		150	150	150	150	150	150

NO.	PART	MATERIAL	QTY
1	BODY 本體	UPVC.CPVC	1
2	SLIDER BLOCK 滑塊	UPVC.CPVC	1
3	PIPE 管	UPVC.CPVC	1
4	REDUCING BUSHING 異徑接頭	UPVC.CPVC	1
5	O-RING 滑塊O環	EPDM.FPM	2-3
6	COUPLING 直接頭	UPVC.CPVC	1



VP-240 Unions 由令

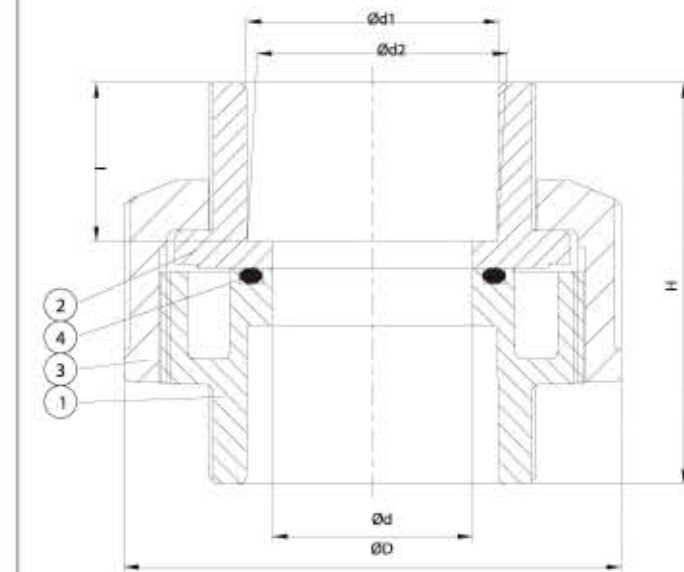
- Suitable for any kind of piping system and easy to be installed.
- 拆裝容易可適用於各種規格之管路

Type 品號	Size 尺寸	Standard 規格	Material 材質	O-ring O環	End type 接口
VP-240	3/8"~4"	ANSI, JIS, DIN, BS	PVC	EPDM, FPM	Socket, Threaded
VP-241	3/8"~4"	ANSI, JIS, DIN, BS	CPVC	EPDM, FPM	Socket, Threaded
VP-243	3/8"~4"	ANSI, JIS, DIN, BS	PVDF	EPDM, FPM	Socket, Threaded
VP-244	3/8"~4"	ANSI, JIS, DIN, BS	PP	EPDM, FPM	Socket, Threaded

Nom.	SIZE	10mm (3/8")	15mm (1/2")	20mm (3/4")	25mm (1")	32mm (1-1/4")	40mm (1-1/2")	50mm (2")	65mm (2-1/2")	80mm (3")	100mm (4")
	JIS	d1	18.4	22.3	26.3	32.33	38.43	48.46	60.56	76.6	89.6
	d2	17.78	21.70	25.70	31.67	37.57	47.54	59.44	75.87	88.83	113.77
	l	19.05	22.2	25.4	28.6	31.8	34.9	38.1	44.45	47.63	69
ANSI	d1	17.45	21.54	26.87	33.65	42.42	48.56	60.63	73.38	88.31	114.78
	d2	17.04	21.23	26.57	33.27	42.04	48.11	60.17	72.85	88.7	114.73
	l	19.05	22.22	25.4	28.58	31.75	34.93	38.1	44.45	47.63	69
DIN	d1	16.3	20.3	25.3	32.3	40.3	50.3	63.3	75.35	90.5	110.6
	d2	15.9	19.9	24.9	31.9	39.9	49.9	62.9	74.9	89.9	109.9
	l	14	16	19	22	26	31	38	44	51	61
BS	d1	17.5	21.7	27.15	33.95	42.65	48.65	60.75	75.75	89.35	114.95
	d2	16.8	21	26.35	33.15	41.85	47.85	59.95	74.95	88.45	113.65
	l	19.05	22.22	25.4	28.58	31.75	34.93	38.1	44.45	47.63	69
thd./in.	NPT	18	14	14	11.5	11.5	11.5	11.5	8	8	8
	BSPT	19	14	14	11	11	11	11	11	11	11
	D	38	46.5	55	66	82	98	120	140	163	225
	d	12.5	13.5	16.5	22	30	38	48	63	75	100
	H	48	56	64	72	87	90	98	114	127	162

NO.	PART	MATERIAL	QTY
1	BODY 本體	UPVC, CPVC, PP, PVDF	1
2	END CONNECTOR 外特普	UPVC, CPVC, PP, PVDF	1
3	UNION NUT 螺帽	UPVC, CPVC, PP, PVDF	1
4	O-RING 本體O環	EPDM, FPM	1

Nom.	SIZE	15mm (1/2")	20mm (3/4")	25mm (1")	32mm (1-1/4")	40mm (1-1/2")
	d1		16.08	22.45	28.83	35.20
d2		15.72	22.10	28.47	34.85	41.20
l		19.50	20.70	26.20	28.80	26.80
D		38	46.5	55	66	82
d		12.5	18.5	24.5	29	35
H		48	56	64	72	87



VP-240 (SCH.40)

Unions 由令

- Suitable for any kind of piping system and easy to be installed.
- 拆裝容易可適用於SCH.40之管路

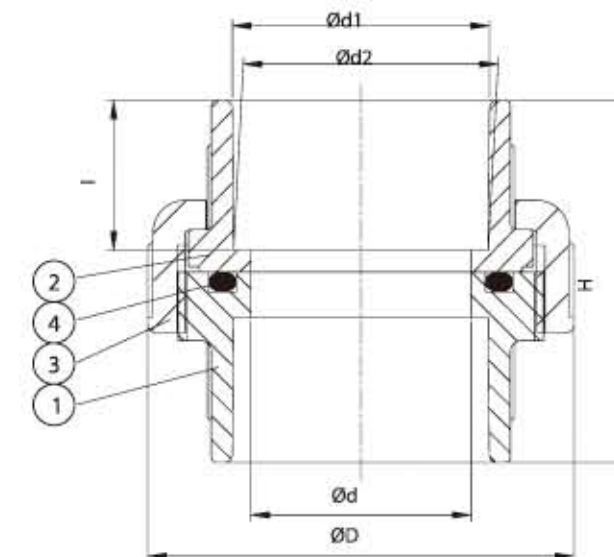
Type 品號	Size 尺寸	Standard 規格	Material 材質	O-ring O環	End type 接口
VP-240	1/2"~2"	ANSI	PVC	EPDM, FPM	Socket, Threaded
VP-241	1/2"~2"	ANSI	CPVC	EPDM, FPM	Socket, Threaded



SCH.40

Nom.	SIZE	15mm (1/2")	20mm (3/4")	25mm (1")	32mm (1-1/4")	40mm (1-1/2")	50mm (2")
d1		21.54	26.87	33.65	42.42	48.56	60.63
d2		21.23	26.57	33.27	42.04	48.11	60.17
l		17.8	18.7	24.3	24.3	28.3	29.9
D		41	47.5	58	70	80.5	94
d		15.5	20.5	25	34	42	51
H		44	46	59	60	69	73.5

NO.	PART	MATERIAL	QTY
1	BODY 本體	UPVC, CPVC	1
2	END CONNECTOR 外特管	UPVC, CPVC	1
3	UNION NUT 螺帽	UPVC, CPVC	1
4	O-RING 本體O環	EPDM, FPM	1



VP-250 .260. 270 盲法蘭 / 單片 / 二片式法蘭

Blind Flanges / One-piece (TS) Flanges / Two-piece (Van Stone) Flanges

● Specification: JIS 10K / ANSI 150 LBS / DIN PN10 @73.4°F(23°C), Gasket type

● 規格：JIS 10K / ANSI 150LBS / DIN PN10 @73.4°F(23°C), 適用墊片接合型式

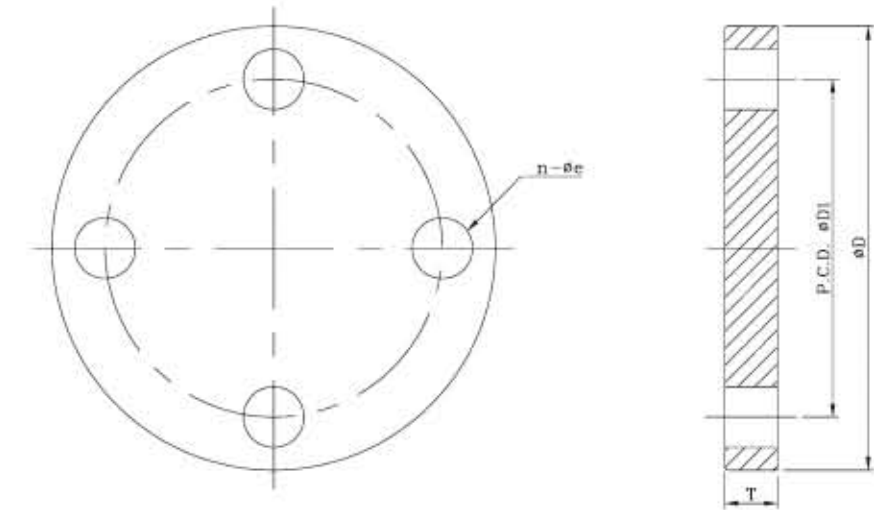
Type 品號	Size 尺寸	Standard 規格	Material 材質	End type 接口
VP-250	1/2"~12"	ANSI, JIS, DIN	PVC	Flanged
VP-251	1/2"~12"	ANSI, JIS, DIN	CPVC	Flanged
VP-260	1/2"~12"	ANSI, JIS, DIN	PVC	Socket, Threaded / Flanged
VP-261	1/2"~12"	ANSI, JIS, DIN	CPVC	Socket, Threaded / Flanged
VP-270	1/2"~24"	ANSI	PVC	Socket, Threaded / Flanged
VP-271	1/2"~24"	ANSI	CPVC	Socket, Threaded / Flanged

BLIND FLANGE

Nom.	SIZE	15mm (1/2")	20mm (3/4")	25mm (1")	32mm (1-1/4")	40mm (1-1/2")	50mm (2")	65mm (2-1/2")	80mm (3")	100mm (4")	125mm (5")	150mm (6")	200mm (8")	250mm (10")	300mm (12")
ANSI	D	89	98	108	117	127	152	178	191	229	254	284	343	406	481
	D1	61	70	79	89	98	121	140	152	191	216	241	299	362	432
	T	12	13	14	16	17.5	19	22	24	24	28	26	28	32	33
	n-øe	4-ø16	4-ø16	4-ø16	4-ø16	4-ø16	4-ø19	4-ø19	4-ø19	8-ø19	8-ø23	8-ø23	8-ø23	12-ø25	12-ø25
JIS	D	95	100	125	135	140	155	175	185	210	250	280	330	400	445
	D1	70	75	90	100	105	120	140	150	175	210	240	290	355	400
	T	14	16	16	18	18	20	22	22	22	24	26	28	30	30
	n-øe	4-ø15	4-ø15	4-ø19	4-ø19	4-ø19	4-ø19	4-ø19	8-ø19	8-ø19	8-ø23	8-ø23	12-ø23	12-ø25	16-ø25



● BLIND FLANGE



ANSI 150PSI FLANGE (one piece)

SIZE Nom.	15mm (1/2")	20mm (3/4")	25mm (1")	32mm (1-1/4")	40mm (1-1/2")	50mm (2")	65mm (2-1/2")	80mm (3")	100mm (4")	125mm (5")	150mm (6")	200mm (8")	250mm (10")	300mm (12")
D	89	98	108	117	127	152	178	191	229	254	280	342	405	480
D1	61	70	79	89	98	121	140	152	191	216	241	299	362	432
D2	33	40	48	57	65	78	92	109	139	167	186	255	291	343
d	15	25	31	40	46	57.5	70	78	111.5	136	166	209	246	296
d1	21.54	26.87	33.65	42.42	48.56	60.63	73.38	89.31	114.76	141.81	168.83	219.84	273.81	324.61
d2	21.23	26.57	33.27	42.04	48.11	60.17	72.85	88.7	114.07	141	168	218.7	272.67	323.47
H	25	29	31.7	35	38	41.3	47.6	50.8	61	82.5	142	131	170	173
T	11	12	14	16	17.5	19	22	23.5	24	28.5	25.5	28	31	33
l	22.22	25.4	28.58	31.75	34.93	38.1	44.45	47.63	57.15	66.7	76.2	102	123	165
n-øe	4-ø16	4-ø16	4-ø16	4-ø16	4-ø16	4-ø19	4-ø19	4-ø19	8-ø19	8-ø23	8-ø23	8-ø23	12-ø25	12-ø25

註 : Socket diameters conform to ASTM D2467/ F439 Sch80 standard.

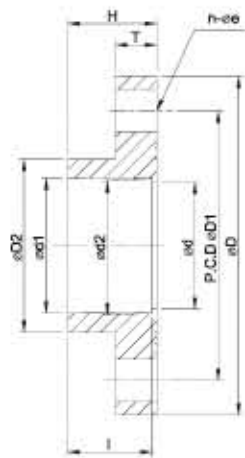
JIS 10K

SIZE Nom.	10mm (3/8")	15mm (1/2")	20mm (3/4")	25mm (1")	32mm (1-1/4")	40mm (1-1/2")	50mm (2")	65mm (2-1/2")	80mm (3")	100mm (4")	125mm (5")	150mm (6")	200mm (8")	250mm (10")	300mm (12")
D	90	95	100	125	135	140	155	175	185	210	250	280	330	400	445
D1	65	70	75	90	100	105	120	140	150	175	210	240	290	355	400
D2	26	31	35	42.5	48.5	61	73	90	105	132	158	186	238	289	341
d	15	18	22	25	30	41	52	67	78	100	125	146	196	247	298
d1	18.4	22.4	26.45	32.55	38.6	48.70	60.80	76.60	89.60	114.7	140.8	166.0	217.5	267.7	318.7
H	30	35	40	46	50.5	61.5	71	70	73	93	114	142	161	167	167
T	14	14	15	15	16	16	20	22	22	24	26	28	30	30	30
l	26	30	35	40	44	55	63	61	64	84	104	132	145	155	155
n-øe	4-ø15	4-ø15	4-ø15	4-ø19	4-ø19	4-ø19	4-ø19	4-ø19	8-ø19	8-ø19	8-ø23	8-ø23	12-ø23	12-ø25	16-ø25
1/T	1/30	1/34	1/34	1/34	1/34	1/37	1/37	1/48	1/49	1/56	1/58	1/63	1/50	1/55	1/55

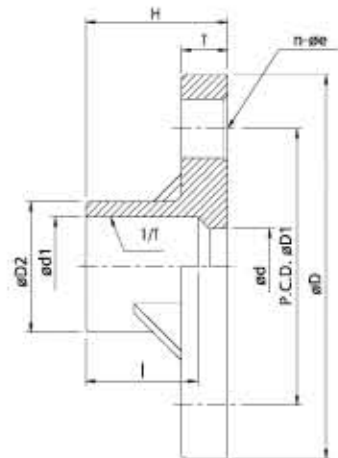
DIN PN10

SIZE Nom.	DN15 (1/2")	DN20 (3/4")	DN25 (1")	DN32 (1-1/4")	DN40 (1-1/2")	DN50 (2")	DN65 (2-1/2")	DN80 (3")	DN100 (4")	DN125 (5")	DN150 (6")	DN200 (8")	DN250 (10")	DN300 (12")
D	95	105	115	140	150	164	185	200	220	254	280	340	396	445
D1	65	75	85	100	110	125	145	160	180	210	240	295	350	400
D2	28	33	41	50	61	76	90	108	131	167	186	255	290	362
d	16	21	28	36	45	57	69.5	82	103	136	146.5	215	240	303
d1	20.3	25.3	32.3	40.3	50.3	63.3	75.35	90.5	110.6	140.85	160.85	226.25	251.45	316.85
d2	19.9	24.9	31.9	39.9	49.9	62.9	74.9	89.9	109.9	140.05	160.05	225.05	250.05	315.05
H	24	21.5	24.5	28	33.5	41	46	55	65	82.5	141.5	131	149	182
T	12	14	14	14	16	16	16	18	18	28.5	25.5	28	31	33
l	21	19	22	26	31	38	43.5	50.5	60.5	77	132	119	131	164
n-øe	4-ø14	4-ø14	4-ø14	4-ø18	4-ø18	4-ø18	4-ø18	8-ø18	8-ø18	8-ø23	8-ø23	8-ø23	12-ø23	12-ø23

●ANSI 150PSI FLANGE /DIN PN10



●JIS 10K FLANGE

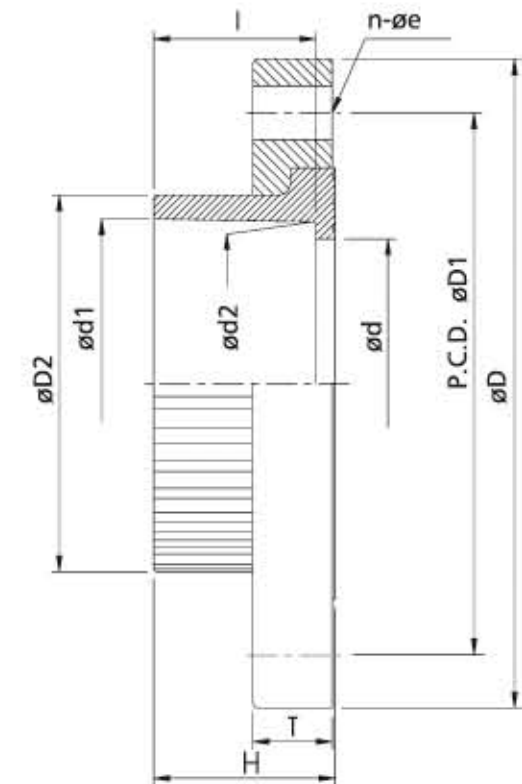


ANSI 150 PSI FLANGE (Van Stone)

SIZE Nom.	15mm (1/2")	20mm (3/4")	25mm (1")	32mm (1-1/4")	40mm (1-1/2")	50mm (2")	65mm (2-1/2")	80mm (3")	100mm (4")	125mm (5")	150mm (6")	200mm (8")	250mm (10")	300mm (12")	350mm (14")	400mm (16")	450mm (18")	500mm (20")	600mm (24")
D	89	98	108	117	128	152	178	192	229	254	283	343	406	481	533	600	636	699	813
D1	61	70	79	89	98	121	140	152	191	216	241	299	362	432	476	540	578	635	749
D2	31	37	44.5	54	64.5	76	92	109	133	167	192	236	296	348	395	452	507	564	675
d	12.5	16.5	22	29	37.8	51	68	77	102	136	156	204	256	307	340	384	430	481	590
d1	21.54	26.87	33.65	42.42	48.56	60.63	73.38	89.31	114.76	141.81	168.83	219.84	273.81	324.61	356.49	407.54	458.6	509.65	611.52
d2	21.23	26.57	33.27	42.04	48.11	60.17	72.85	88.7	114.07	141	168	218.7	272.67	323.47	355.22	405.89	456.69	507.49	608.84
H	26	30	34.5	39.5	39.5	43	49	54	64	72.5	85	118	150	191	195	220	280	310	346
T	11	12	14	16	18	20	24	26	28	28.5	32	36	42	42	50.8	60	62	63	72
l	22.22	25.4	28.58	31.75	34.93	38.1	44.45	47.63	57.15	66.7	76.2	102	123	165	189	204	254	280	305
n-øe	4-ø16	4-ø16	4-ø16	4-ø16	4-ø16	4-ø19	4-ø19	4-ø19	8-ø19	8-ø23	8-ø23	8-ø23	12-ø25	12-ø25	12-ø29	16-ø29	16-ø32	20-ø32	20-ø35

註 : Socket diameters conform to ASTM D2467/ F439 Sch80 standard.

●ANSI 150 PSI FLANGE (Van Stone)



VP-289 橡膠墊片 Rubber Gaskets

● Material : EPDM, NBR, FPM

● 材質 : EPDM, NBR, FPM

Type 品號	Size 尺寸	Standard 規格	Material 材質
VP-289	1/2"~12"	ANSI, JIS, DIN	EPDM, NBR, FPM



JIS 10K

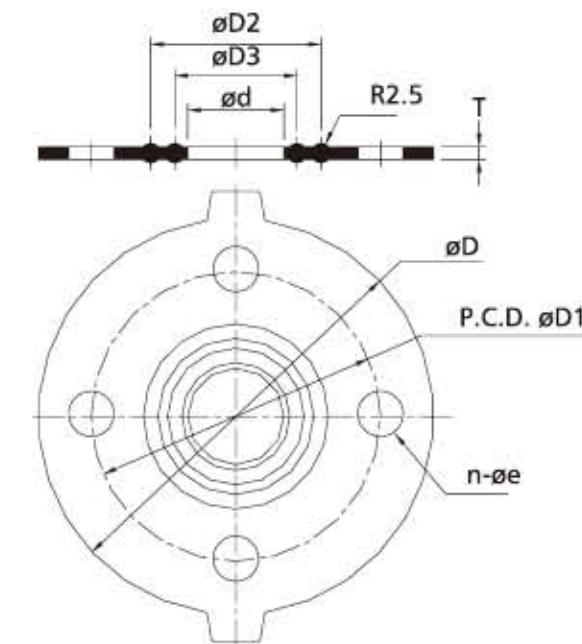
SIZE Nom.	15mm (1/2")	20mm (3/4")	25mm (1")	32mm (1-1/4")	40mm (1-1/2")	50mm (2")	65mm (2-1/2")	80mm (3")	100mm (4")	125mm (5")	150mm (6")	200mm (8")	250mm (10")	300mm (12")	350mm (14")	400mm (16")
D	93	98	123	133	138	153	173	183	208	248	278	328	398	443	485	560
D1	70	75	90	100	105	120	140	150	175	210	240	290	355	400	445	510
D2	41	47	53	65	69	83	101	112	138	166	190	247	306	352	405	482
D3	26	32	38	50	54	68	86	98	120	145	168	216	270	324	380	452
d	18	22	30	37	43	54	69	80	102	127	150	198	249	300	350	400
n-øe	4-ø15	4-ø15	4-ø19	4-ø19	4-ø19	4-ø19	4-ø19	8-ø19	8-ø19	8-ø23	8-ø23	12-ø23	12-ø25	16-ø25	16-ø25	16-ø27
T	3	3	3	3	3	3	3	3	3	3	3	3	3	3	3	3

ANSI 150 PSI

SIZE Nom.	15mm (1/2")	20mm (3/4")	25mm (1")	32mm (1-1/4")	40mm (1-1/2")	50mm (2")	65mm (2-1/2")	80mm (3")	100mm (4")	125mm (5")	150mm (6")	200mm (8")	250mm (10")	300mm (12")	350mm (14")	400mm (16")	450mm (18")	500mm (20")	600mm (24")
D	86.36	96.52	106.68	114.30	124.40	149.86	175.20	187.96	226.06	251.46	276.86	340.36	403.86	480.06	530	595	630	692	800
D1	61	70	79	89	98	121	140	152	191	216	241	299	362	432	476	540	578	635	749
D2	40.64	48.26	53.34	66.04	68.55	83.82	101.60	111.76	137.16	165.10	190.50	246.38	307.34	356.06	405	482	510	566	674
D3	25.40	33.02	38.10	50.80	53.34	68.58	86.36	99.06	119.38	144.78	167.64	215.90	269.24	325.20	380	452	472	535	644
d	17.78	22.86	30.48	38.10	43.18	53.34	68.58	81.28	101.60	127.00	148.86	198.12	248.92	299.72	350	400	450	500	600
n-øe	4-ø16	4-ø16	4-ø16	4-ø16	4-ø16	4-ø19	4-ø19	4-ø19	8-ø19	8-ø23	8-ø23	8-ø23	12-ø25	12-ø25	12-ø29	16-ø29	16-ø32	20-ø32	20-ø35
T	3	3	3	3	3	3	3	3	3	3	3	3	3	3	3	3	5	5	5

DIN PN 10

SIZE Nom.	15mm (1/2")	20mm (3/4")	25mm (1")	32mm (1-1/4")	40mm (1-1/2")	50mm (2")	65mm (2-1/2")	80mm (3")	100mm (4")	125mm (5")	150mm (6")	200mm (8")	250mm (10")	300mm (12")
D	93	103	113	133	148	163	183	198	218	248	283	338	393	443
D1	65	75	85	100	110	125	145	160	180	210	240	295	350	400
D2	41	47	53	65	69	83	101	112	138	166	190	247	306	352
D3	26	32	38	50	54	68	86	98	120	145	168	216	270	324
d	18	22	30	37	43	54	69	80	102	127	150	198	249	300
n-øe	4-ø14	4-ø14	4-ø14	4-ø18	4-ø18	4-ø18	4-ø18	8-ø18	8-ø18	8-ø18	8-ø22	8-ø22	12-ø22	12-ø22
T	3	3	3	3	3	3	3	3	3	3	3	3	3	3



VP 伸縮接頭

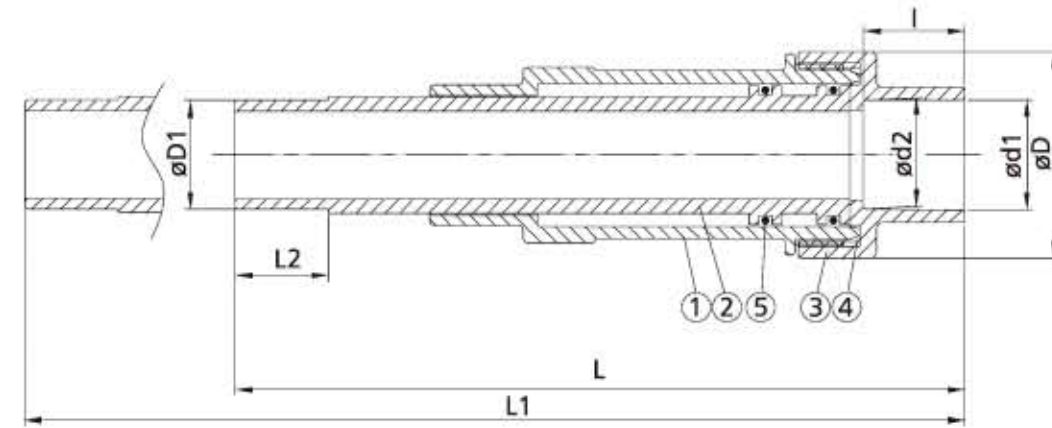
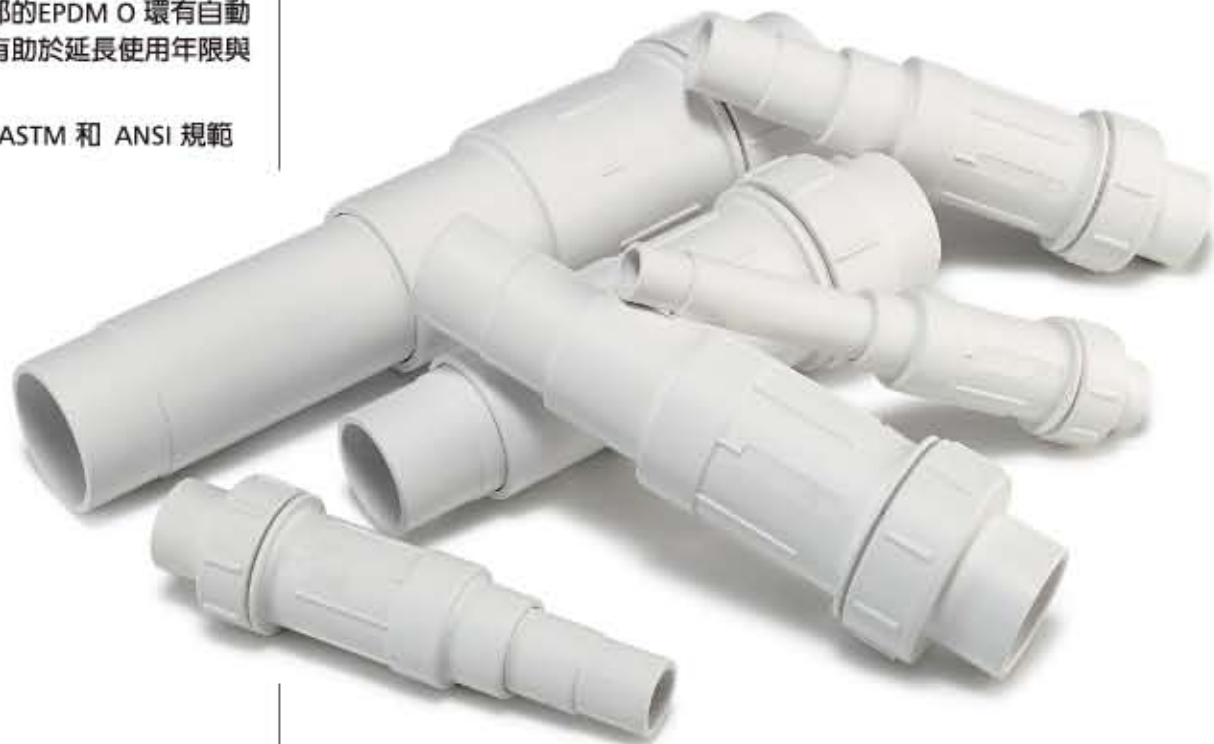
Expansion Repair Coupling

- Excellent for use in repairing broken lines or when adding additional lines or fittings. Simply cut out section of broken pipe, slightly longer than expansion repair coupling, apply glue to expansion repair coupling to fill the gap.
- Available in 1/2"~2" Sizes
- PVC SCH. 40 Type 1 Grade 1
- IPS Spigot * IPS Socket
- Internal self-lubricating EPDM o-ring for long life and smooth movement.
- Complies with ASTM and ANSI standards.
- 適用於修復破裂的管路或新增管路、管件。只需將破裂的管路截斷，截斷的長度需比縮短的伸縮接頭長度長一些。之後在伸縮接頭塗上膠水，並將之與管路連接。
- 尺寸：1/2"~2"
- 原料：PVC TYPE 1 GRADE 1, SCH.40
- 伸縮接頭內部的EPDM O 環有自動潤滑作用，有助於延長使用年限與伸縮自如。
- 符合相關之 ASTM 和 ANSI 規範

Type 品號	Size 尺寸	Standard 規格	Material 材質	O-ring O環	End type 接口
Fittings	1/2"~2"	sch.40	PVC	EPDM	Socket

SIZE Nom.	15mm (1/2")	20mm (3/4")	25mm (1")	32mm (1-1/4")	40mm (1-1/2")	50mm (2")
øD	46.1	51.5	63.3	73.7	80.5	92.6
øD1	21.34	26.67	33.4	42.16	42.26	60.32
l	20.5	27.4	31	34	35.5	37
L	171	192	223	248.5	249	286.5
L1	219.5	249.5	287.5	317	323.5	364.3
L2	20.5	26	28.6	31.8	33.4	34.5
ød1	21.54	26.87	33.65	42.42	48.56	60.63
ød2	21.23	26.57	33.27	42.04	48.1	60.17

NO.	PART	MATERIAL	QTY
1	BODY 本體	UPVC	1
2	SLIDER 滑塊	UPVC	1
3	UNION NUT 螺帽	UPVC	1
4	O-RING 滑塊O環	EPDM	1
5	O-RING 本體O環	EPDM	2



Excellent & Advanced

VP-300 Series

Ball Valves 球閥

- VP-310. 320. 330. 340
Economy Single Union Ball Valve
經濟型單邊由令球閥
- VP-360. 370
Two-piece Ball Valve
兩片式球閥



VP-310 .320 .330 .340

Economy Single Union Ball Valve

- Specification: Schedule 40
- Lower torque and easy to operate
- Economical cost
- Suitable for swimming pool system

- 規格：Schedule 40
- 低扭力把手開關方便
- 價格實惠
- 重量輕，不佔空間
- 適用於游泳池產業

Type 品號	Size 尺寸	Standard 規格	Material 材質	Seat 墊座	O-ring O環	End type 接口
VP-310 / 320	1-1/2"~2"	ANSI, JIS, DIN, BS	PVC	PTFE / EPDM	EPDM	Socket, Threaded
VP-315 / 325	1-1/2"~2"	ANSI, JIS, DIN, BS	ABS+PC	PTFE / EPDM	EPDM	Socket, Threaded
VP-330 / 340	1-1/2"~2"	ANSI, JIS, DIN, BS	PVC	PTFE / EPDM	EPDM	MIPT
VP-335 / 345	1-1/2"~2"	ANSI, JIS, DIN, BS	ABS+PC	PTFE / EPDM	EPDM	MIPT



經濟型單邊由令球閥

Socket / Threaded Type

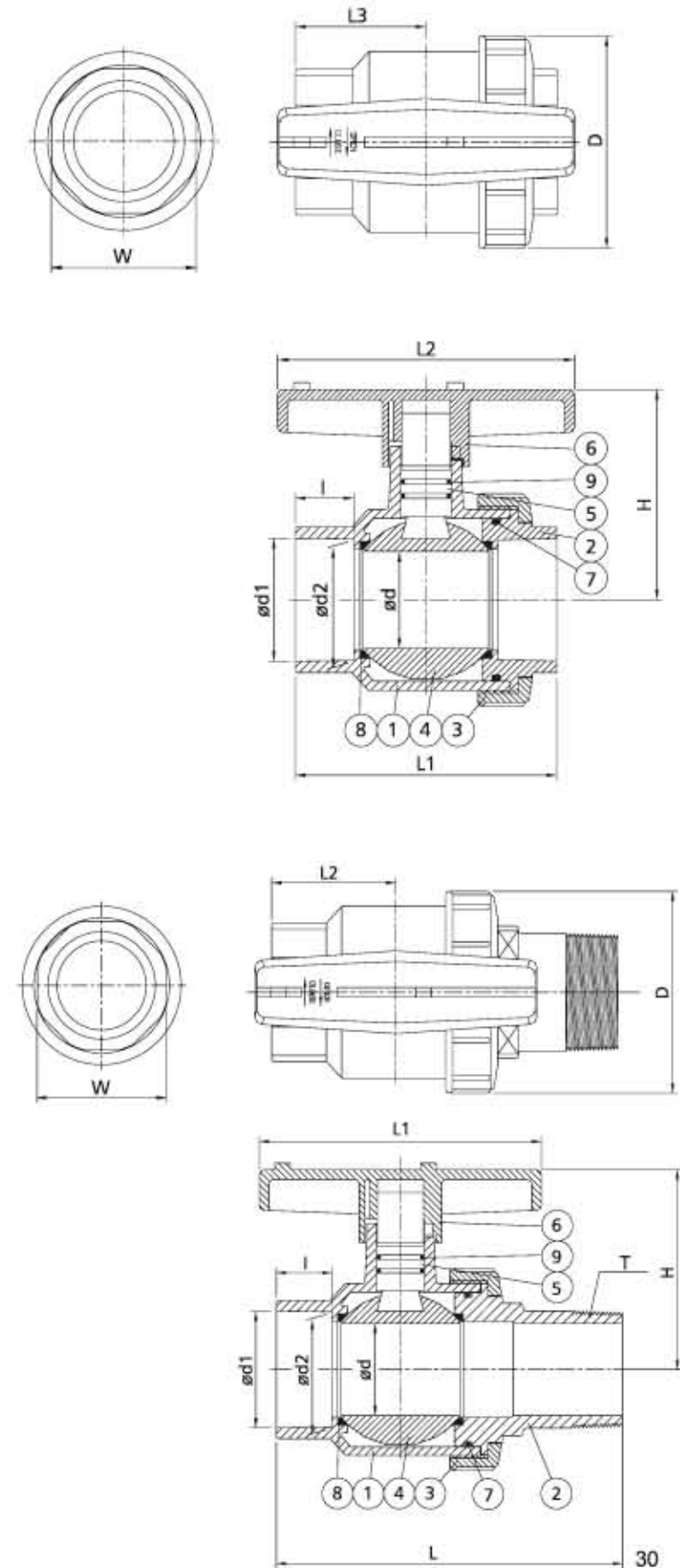
Nom.	SIZE	
	40mm (1-1/2")	50mm (2")
JIS	d1	48.48
	d2	47.54
ANSI	d1	48.56
	d2	48.11
DIN	d1	50.3
	d2	49.9
BS	d1	48.65
	d2	47.85
thd. / In.	BSPT	11
	NPT	11.5
D	87.5	105
d	38.5	48
L1	115	130
L2	121	147
L3	56.5	64.7
H	85	104
I	27.79	29.46
W	60	70

NO.	PART	MATERIAL	QTY
1	BODY 本體	UPVC, PP+GF, ABS+PC	1
2	END CONNECTOR 外接管	UPVC, PP+GF, ABS+PC	1
3	UNION NUT 螺帽	UPVC, PP+GF, ABS+PC	1
4	BALL 球體	UPVC, PP+GF, ABS+PC	1
5	STEM 中心柱	UPVC, PP+GF, ABS+PC	1
6	HANDLE 把手	ABS, PP+GF	1
7	UNION O-RING 由令O環	EPDM, FPM	1
8	SEAT 墊座	EPDM, PTFE	2
9	STEM O-RING 中心O環	EPDM, FPM	2

MIPT TYPE

Nom.	SIZE	
	40mm (1-1/2")	50mm (2")
JIS	d1	48.7
	d2	47.76
ANSI	d1	48.56
	d2	48.11
DIN	d1	50.3
	d2	49.9
BS	d1	48.65
	d2	47.85
thd. / In.	BSPT	11
	NPT	11.5
D	87.5	105
d	38.5	48
L	168	180
L1	121	147
L2	56.5	64.7
H	85	104
W	60	70
I	27.79	29.46

NO.	PART	MATERIAL	QTY
1	BODY 本體	UPVC, PP+GF, ABS+PC	1
2	END CONNECTOR 外接管	UPVC, PP+GF, ABS+PC	1
3	UNION NUT 螺帽	UPVC, PP+GF, ABS+PC	1
4	BALL 球體	UPVC, PP+GF, ABS+PC	1
5	STEM 中心柱	UPVC, PP+GF, ABS+PC	1
6	HANDLE 把手	ABS, PP+GF	1
7	UNION O-RING 由令O環	EPDM, FPM	1
8	SEAT 墊座	EPDM, PTFE	2
9	STEM O-RING 中心O環	EPDM, FPM	2



VP-360 .370 兩片式球閥

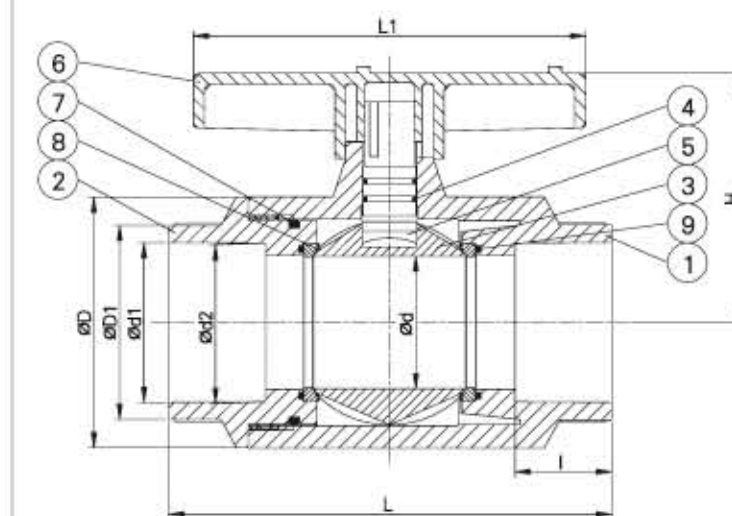
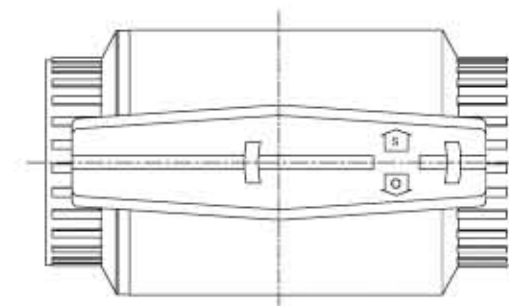
Two-piece Ball Valve

- Pressure rating: 150 PSI @ 73.4°F (23°C)
- Lower torque and easy to operate
- Full port design
- Economical cost
- 工作壓力 : 150 PSI @ 73.4°F (23°C)
- 低扭力把手開關方便
- 全流量設計、價格實惠

Type 品號	Size 尺寸	Standard 規格	Material 材質	Seat 墊座	O-ring O環	End type 接口
VP-360	2-1/2"~4"	ANSI, JIS, BS	PVC	PTFE	EPDM, FPM	Socket, Threaded
VP-361	2-1/2"~4"	ANSI, JIS, BS	CPVC	PTFE	EPDM, FPM	Socket, Threaded
VP-365	2-1/2"~4"	DIN	ABS	PTFE	EPDM, FPM	Socket, Threaded
VP-370	2-1/2"~4"	ANSI, JIS, BS	PVC	EPDM	EPDM, FPM	Socket, Threaded
VP-371	2-1/2"~4"	ANSI, JIS, BS	CPVC	EPDM	EPDM, FPM	Socket, Threaded
VP-375	2-1/2"~4"	DIN	ABS	EPDM	EPDM, FPM	Socket, Threaded

Nom.	SIZE	65mm	80mm	100mm
		(2-1/2")	(3")	(4")
JIS	d1	76.6	89.6	114.7
	d2	75.87	88.83	113.77
	I	62	63	69
ANSI	d1	73.38	89.31	114.78
	d2	72.85	89.28	114.73
	I	44.45	88.7	114.07
DIN	d1	75.35	88.87	114.04
	d2	74.9	89.5	110.6
	I	44	47.63	57.15
BS	d1	75.75	89.35	114.95
	d2	74.95	88.45	113.65
	I	44.45	47.63	57.15
D		115	134.5	190
D1		89.5	106.8	143.5
d		61	69	99
L		200	227.5	300
L1		180	224	277
H		116	128.5	176

NO.	PART	MATERIAL	Q'TY
1	BODY 本體	UPVC, CPVC, ABS	1
2	END CONNECTOR 外接管	UPVC, CPVC, ABS	1
3	BALL 球體	UPVC, CPVC, ABS	1
4	STEM O-RING 中心O環	EPDM, FPM	2
5	STEM 中心柱	UPVC, CPVC, ABS	1
6	HANDLE 把手	ABS, PP+GF	1
7	UNION O-RING 由令O環	EPDM, FPM	1
8	SEAT 墊座	EPDM, PTFE	2
9	SEAT O-RING 墊座O環	EPDM, FPM	2



Excellent & Advanced

VP-400 Series

Check Valves 逆止閥

- VP-420
Economy Swing Check Valve
經濟型擺動式逆止閥
- VP-430
Economy Swing Check Foot Valve
經濟型擺動式終端逆止閥
- VP-440
True Union Ball Check Valve
雙由令球型逆止閥
- VP-450
Swing Check Valve
工業用擺動式逆止閥
- VP-460
Ball Check Valve
單由令球型逆止閥
- VP-470
Ball Check Foot Valve
單由令球型終端逆止閥
- VP-480
In-Line Spring Check Valve
彈簧式逆止閥
- VP-490
In-Line Spring Check Foot Valve
彈簧式終端逆止閥



VP-420 .430 經濟型擺動式 (終端) 逆止閥

Economy Swing Check (Foot) Valve

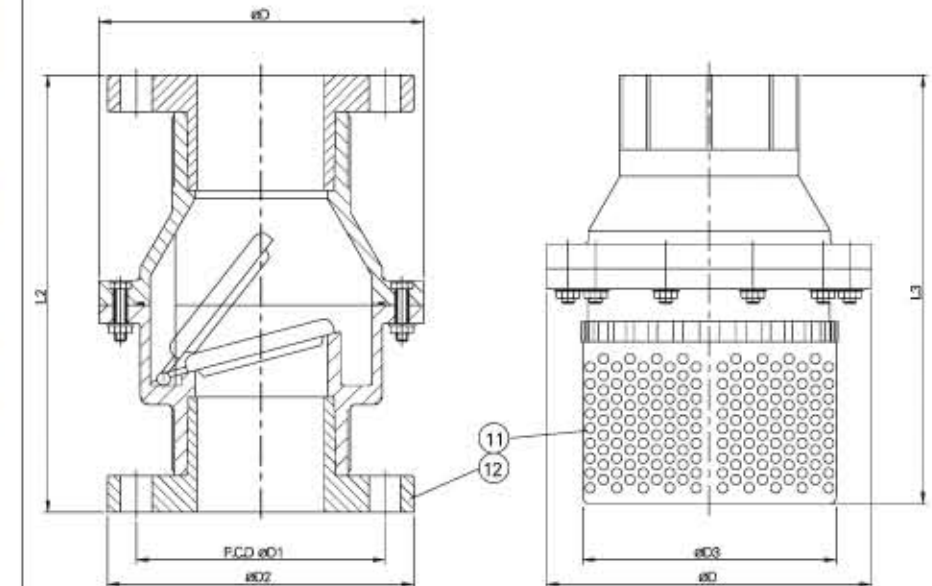
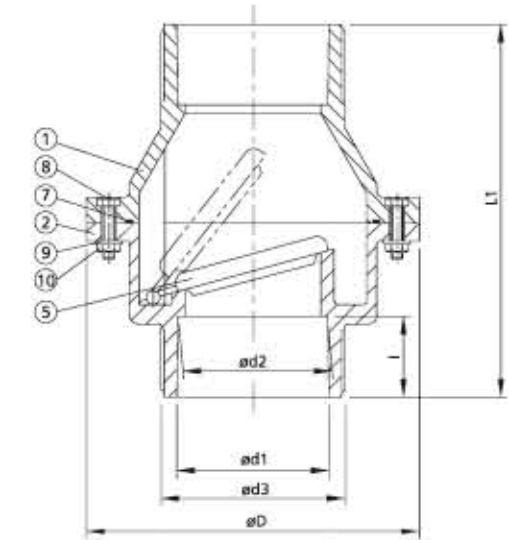
- With arrow to mark the direction of flow, and to be installed according to flow direction.
- Vertical installation: the arrow should be installed upward.
- Horizontal installation: the arrow mark should be shown on top to indicate the flow direction.
- 箭頭標示水流方向，請依實際水流方向安裝
- 垂直裝配時指示箭頭方向朝上安裝
- 水平裝配時指示箭頭位置必須位在正上方

Type 品號	Size 尺寸	Standard 規格	Material 材質	Disc 閘門	O-ring O環	End type 接口
VP-420	3"-4"	ANSI, JIS, DIN	PVC	EPDM, FPM	EPDM, FPM	Socket, Threaded, Flanged
VP-430	3"-4"	ANSI, JIS, DIN	PVC	EPDM, FPM	EPDM, FPM	Socket, Threaded, Flanged



NO.	PART	MATERIAL	Q'TY
1	UPPER BODY 上本體	UPVC	1
2	LOWER BODY 下本體	UPVC	1
5	DISC 閘門	EPDM, FPM	1
7	O-RING 本體O環	EPDM, FPM	1
8	BOLT 螺絲	SUS 304	10
9	WASHER 平華司	SUS 304	10
10	NUT 螺帽	SUS 304	10
11	FILTER 濾網	UPVC	1
12	FLANCE 法蘭片	UPVC	2

Nom.	SIZE	80mm (3")	100mm (4")
JIS	D1	150	175
	d1	89.60	114.7
	d2	88.83	113.77
	I	47.63	57.15
ANSI	D1	152	191
	d1	89.31	114.76
	d2	89.28	114.73
	I	47.63	57.15
DIN	d1	90.5	110.6
	d2	89.9	109.9
	I	51	61
	thd./in	NPT	8
BSPT		11	11
D		196	210
D2		185	210
D3		153	153
d3		108	133
L1		221	271
L2		260	300
L3		275	320



VP-440 雙由令球型逆止閥

True Union Ball Check Valve

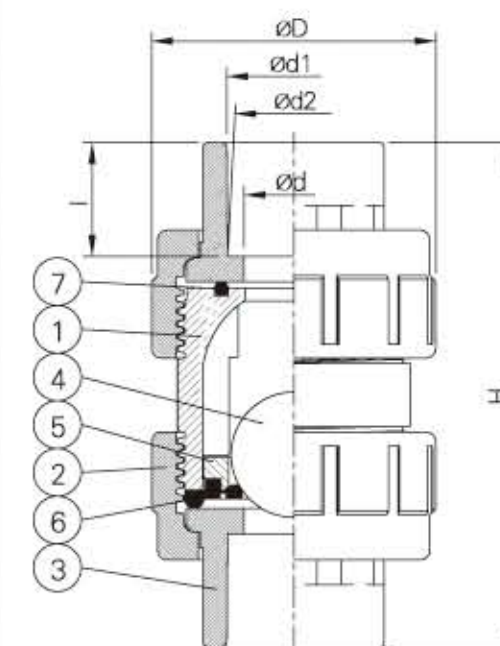
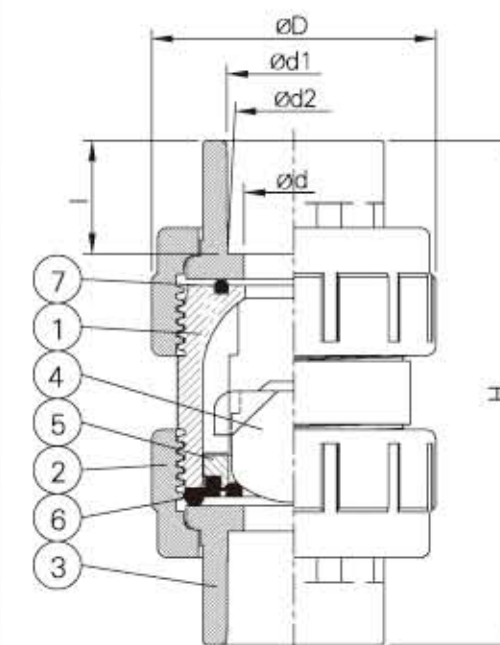
- Pressure rating: 150 PSI @ 73.4°F (23°C)
- Minimum flow pressure: 5 PSI
- Vertically installed, the arrow mark should be upward.
- True union end type
- Easy maintenance
- Ball sealing design, and to be able to seal hermetically.
- 工作壓力：150 PSI @ 73.4°F (23 °C)
- 最低開啓壓力：5 PSI
- 依流向箭頭指示垂直安裝
- 球體逆止設計，密閉性佳

Type 品號	Size 尺寸	Standard 規格	Material 材質	Seal 止逆座	O-ring O環	End type 接口
VP-440	1/2"~2"	ANSI, JIS, DIN	PVC	EPDM, FPM, NBR	EPDM, FPM	Socket, Threaded
VP-441	1/2"~2"	ANSI, JIS, DIN	CPVC	EPDM, FPM, NBR	EPDM, FPM	Socket, Threaded
VP-443	1/2"~2"	ANSI, JIS, DIN	PVDF	EPDM, FPM, NBR	EPDM, FPM	Socket, Threaded
VP-444	1/2"~2"	ANSI, JIS, DIN	PP	EPDM, FPM, NBR	EPDM, FPM	Socket, Threaded



Nom.	SIZE	SIZE					
		15mm (1/2")	20mm (3/4")	25mm (1")	32mm (1-1/4")	40mm (1-1/2")	50mm (2")
JIS	d1	22.3	26.3	32.33	38.6	48.46	60.56
	d2	21.7	25.7	31.67	37.67	47.54	59.44
	I	22.2	25.4	28.6	31.75	34.9	38.1
ANSI	d1	21.45	26.87	33.65	42.42	48.56	60.63
	d2	21.23	26.57	33.27	42.04	48.11	60.17
	I	22.22	25.4	28.58	31.75	34.93	38.1
DIN	d1	20.3	25.3	32.3	40.3	50.3	63.3
	d2	19.9	24.9	31.9	39.9	49.9	62.9
	I	16	19	22	26	31	38
thd./in	NPT	14	14	11.5	11.5	11.5	11.5
	BSPT	14	14	11	11	11	11
D		50	62	72	97	97	107
d		13	20	25	31.5	41	50
H		96	112	127	159	159	185

NO.	PART	MATERIAL	QTY
1	BODY 本體	UPVC, CPVC, PP, PVDF	1
2	UNION NUT 螺帽	UPVC, CPVC, PP, PVDF	2
3	END CONNECTOR 外接管	UPVC, CPVC, PP, PVDF	2
4	BALL 球體	UPVC, CPVC, PP, PVDF	1
5	GLAND 卡環	UPVC, CPVC, PP, PVDF	1
6	SEAL 止逆座	EPDM, FPM, NBR	1
7	O-RING 由令O環	EPDM, FPM	1



VP-450 工業用擺動式逆止閥

Swing Check Valve

- Minimum flow pressure: 2 PSI
- Install vertically or horizontally, with arrow to indicate flow direction
- Easy to clean by removing the top bonnet.
- Less on-line down time for maintenance
- To avoid blocking, it is recommended to install filter in front of the valve.
- 最低開啓壓力：2 PSI
- 依流向箭頭指示水平或垂直安裝
- 可直接清理閥體，無須自管路拆除
- 前端管路建議安裝過濾器，以防閥門被阻塞

Type 品號	Size 尺寸	Standard 規格	Material 材質	Gasket 墊圈	End type 接口
VP-450	1/2"~8"	ANSI, JIS, DIN	PVC	EPDM, FPM, NBR, PTFE	Flanged
VP-451	1/2"~8"	ANSI, JIS, DIN	CPVC	EPDM, FPM, NBR, PTFE	Flanged
VP-453	1/2"~8"	ANSI, JIS, DIN	PVDF	EPDM, FPM, NBR, PTFE	Flanged
VP-454	1/2"~8"	ANSI, JIS, DIN	PP	EPDM, FPM, NBR, PTFE	Flanged



Nom.	SIZE	15mm (1/2")	20mm (3/4")	25mm (1")	32mm (1-1/4")	40mm (1-1/2")	50mm (2")	65mm (2-1/2")	80mm (3")	100mm (4")	150mm (6")	200mm (8")
JIS	D	100	100	125	140	140	155	175	185	210	285	343
	D1	70	75	90	100	105	120	140	150	175	240	290
	L	140	140	160	180	180	200	240	260	300	400	500
ANSI	n-øe	4-ø15	4-ø15	4-ø19	4-ø19	4-ø19	4-ø19	4-ø19	8-ø19	8-ø19	8-ø23	12-ø23
	D	100	100	108	127	127	152	178	191	229	285	343
	D1	60	70	79	88.9	98	121	140	152	191	241	299
DIN	L	140	140	160	180	180	200	240	260	300	400	500
	n-øe	4-ø16	4-ø16	4-ø16	4-ø16	4-ø16	4-ø19	4-ø19	4-ø19	8-ø19	8-ø23	8-ø23
	D	100	100	115	150	150	165	185	200	220	285	343
DIN	D1	65	75	85	100	110	125	145	160	180	240	295
	L	140	140	160	180	180	200	240	260	300	400	500
	n-øe	4-ø14	4-ø14	4-ø14	4-ø18	4-ø18	4-ø18	4-ø18	8-ø18	8-ø18	8-ø22	8-ø22
T		15	15	17	19	19	20	22	22	24	26	30
H		93	93	117.5	137	137	165	168.5	169	217	285	338

NO.	PART	MATERIAL	QTY
1	BODY 本體	HI-PVC, UPVC, CPVC, PP, PVDF	1
2	BONNET 上蓋	HI-PVC, UPVC, CPVC, PP, PVDF	1
3	DISC 擺動盤	HI-PVC, UPVC, CPVC, PP, PVDF	1
4	DISC HOLDER 墊盤	HI-PVC, UPVC, CPVC, PP, PVDF	1
5	SWING ARM 擺臂	HI-PVC, UPVC, CPVC, PP, PVDF	1
6	SEAT 止洩座	EPDM, FPM, NBR, PTFE	1
7	GASKET 本體墊圈	EPDM, FPM, NBR, PTFE	1
8	SHAFT 轉軸	PTFE	1
9	DISC NUT 螺帽	HI-PVC, UPVC, CPVC, PP, PVDF	1
10	DISC WASHER 平華司	HI-PVC, UPVC, CPVC, PP, PVDF	1
11	SHEET GASKET 襯墊	EPDM, FPM, NBR, PTFE	1
12	SHEET BOLT 本體螺柱	HI-PVC, UPVC, CPVC, PP, PVDF	1
13	DISC BOLT 墊盤螺柱	HI-PVC, UPVC, CPVC, PP, PVDF	1-8
14	BOLT SETS 螺絲組	STEEL, SUS 304	6-16

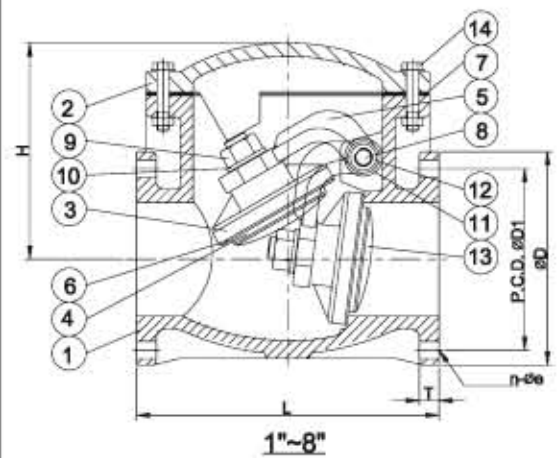
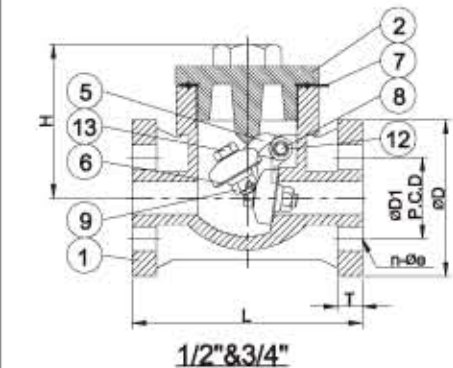
Not suggest to installing on dirt/mud piping system
P.S: PVC不建議使用於污泥管路系統

Swing check Valve使用參考壓力和溫度關係 VP-450 Table of Temperature / Water Pressure (Reference only)

Unit: kgf / cm²

Material	U-PVC		CPVC		PP				PVDF		
	EPDM	FPM	EPDM	EPDM	PTFE	PTFE	PTFE	PTFE	PTFE	PTFE	
SIZE	0-50	0-50	-10-60	61-90	-20-60	61-80	-20-60	61-80	-20-60	61-80	81-100
15(1/2")	7	6	7	6	7	6	6	5	6	5	4
20(3/4")	7	6	7	6	7	6	6	5	6	5	4
25(1")	7	6	7	6	7	6	6	5	6	5	4
40(1-1/2")	7	6	7	6	7	6	6	5	6	5	4
50(2")	7	6	7	6	7	6	6	5	6	5	4
65(2-1/2")	7	6	7	6	7	6	6	5	6	5	4
80(3")	7	5	7	6	7	6	5	4	5	4	3
100(4")	5	5	5	4	5	4	5	4	5	4	3
150(6")	5	3	5	3	5	4	3	2	3	2.5	2
200(8")	3	3	3	2.5	3	2	3	2	3	2.5	2

Notice with water hammer and surge pressure
P.S: 安裝時，特別注意水錘及脈衝現象



VP-460 .470 單由令球型 (終端) 逆止閥

Ball Check (Foot) Valve

- Pressure rating: 1/2"~2-1/2" 150 PSI, 3"~4" 100 PSI @73.4°F (23°C)
- Minimum flow pressure : 2~4 PSI
- Vertically installation, the arrow should be upward.
- Ball sealing design to be able to seal hermetically.
- 工作壓力 : 1/2"~2-1/2" 150 PSI, 3"~4" 100 PSI @73.4°F (23°C)
- 最低開啓壓力 : 2~4 PSI
- 依流向箭頭指示垂直安裝
- 球體逆止設計, 密閉性佳

Type 品號	Size 尺寸	Standard 規格	Material 材質	Seal 止逆座	End type 接口
VP-460	1/2"~4"	ANSI, JIS, DIN	PVC	EPDM, FPM, NBR	Socket, Threaded, Flanged
VP-461	1/2"~4"	ANSI, JIS, DIN	CPVC	EPDM, FPM, NBR	Socket, Threaded, Flanged
VP-463	1/2"~4"	ANSI, JIS, DIN	PVDF	EPDM, FPM, NBR	Socket, Threaded, Flanged
VP-464	1/2"~4"	ANSI, JIS, DIN	PP	EPDM, FPM, NBR	Socket, Threaded, Flanged
VP-470	1/2"~4"	ANSI, JIS, DIN	PVC	EPDM, FPM, NBR	Socket, Threaded, Flanged
VP-471	1/2"~4"	ANSI, JIS, DIN	CPVC	EPDM, FPM, NBR	Socket, Threaded, Flanged
VP-473	1/2"~4"	ANSI, JIS, DIN	PVDF	EPDM, FPM, NBR	Socket, Threaded, Flanged
VP-474	1/2"~4"	ANSI, JIS, DIN	PP	EPDM, FPM, NBR	Socket, Threaded, Flanged



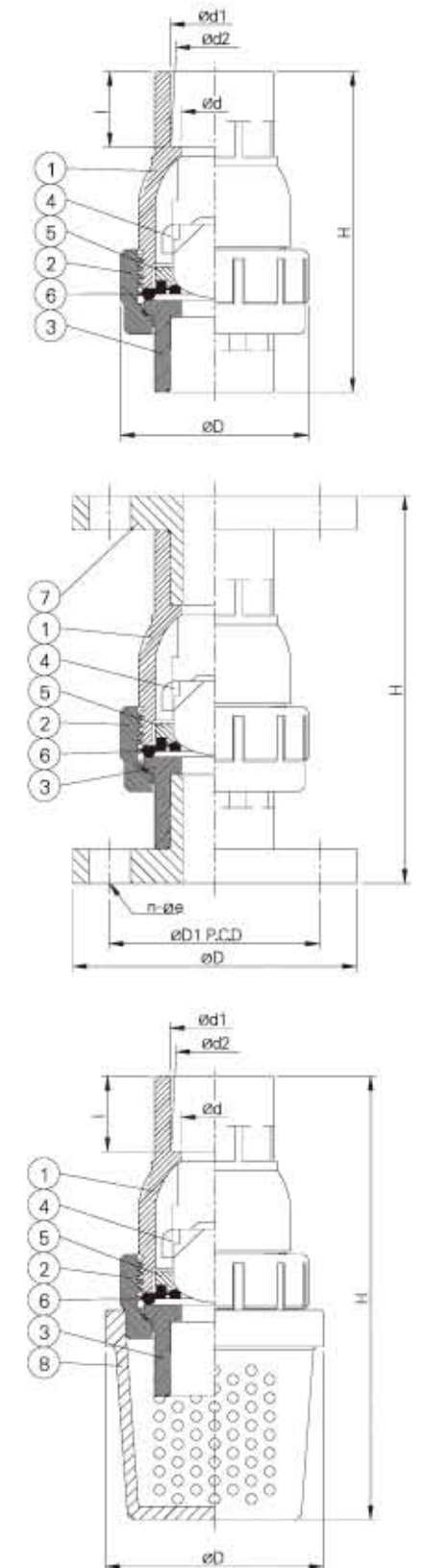
PS:球體亦可為圓形球, 可參考VP-440

Nom.	SIZE	15mm	20mm	25mm	32mm	40mm	50mm	65mm	80mm	100mm
		(1/2")	(3/4")	(1")	(1-1/4")	(1-1/2")	(2")	(2-1/2")	(3")	(4")
JIS	d1	22.30	26.30	32.33	38.43	48.46	60.56	76.60	89.6	114.7
	d2	21.70	25.70	31.67	37.57	47.54	59.44	75.87	88.83	113.77
	I	22.22	25.4	28.6	31.75	34.9	38.1	61	63	69
ANSI	d1 ^{UPVC, CPVC}	21.54	26.87	33.65	42.42	48.56	60.63	73.38	89.31	114.76
	d2 ^{UPVC, CPVC}	21.23	26.57	33.27	42.04	48.11	60.17	72.85	88.7	114.07
	I	22.22	25.40	28.58	31.75	34.93	38.10	44.45	47.63	57.15
DIN	d1	20.3	25.3	32.3	40.3	50.3	63.3	75.35	90.5	110.6
	d2	19.9	24.9	31.9	39.9	49.9	62.9	74.9	89.9	109.9
	I	16	19	22	26	31	38	44	51	61
thd/in	NPT	14	14	11.5	11.5	11.5	11.5	8	8	8
	BSPT	14	14	11	11	11	11	11	11	11
D	50	62	72	97	97	107	163	163	225	
d	13	20	25	36	40	50	70	77	102	
H	93	109	122	155	155	178	262	262	321	

Nom.	SIZE	15mm	20mm	25mm	32mm	40mm	50mm	65mm	80mm	100mm
		(1/2")	(3/4")	(1")	(1-1/4")	(1-1/2")	(2")	(2-1/2")	(3")	(4")
JIS	D	95.5	100	124.5	134.5	140.5	155	175	184.5	209.5
	D1	70	75	90	100	105	120	140	150	175
	n-øe	4-ø15	4-ø15	4-ø19	4-ø19	4-ø19	4-ø19	4-ø19	8-ø19	8-ø19
ANSI	D	89	98	108	117	127	155	178.5	190.5	230
	D1	60	70	79	89	98	121	140	152	191
	n-øe	4-16	4-16	4-16	4-16	4-16	4-19	4-19	4-19	8-19
DIN	D	95.5	100	124.5	134.5	140.5	155	175	184.5	209.5
	D1	65	75	85	100	110	125	145	160	180
	n-øe	4-ø15	4-ø15	4-ø15	4-ø19	4-ø19	4-ø19	4-ø19	8-ø19	8-ø19
H	122	141	152	191	191	218	306	307	364	

Nom.	SIZE	15mm	20mm	25mm	32mm	40mm	50mm	65mm	80mm	100mm
		(1/2")	(3/4")	(1")	(1-1/4")	(1-1/2")	(2")	(2-1/2")	(3")	(4")
JIS	d1	22.30	26.30	32.33	38.43	48.46	60.56	76.60	89.6	114.7
	d2	21.70	25.70	31.67	37.57	47.54	59.44	75.87	88.83	113.77
	I	22.22	25.4	28.6	31.75	34.9	38.1	61	63	69
ANSI	d1 ^{UPVC, CPVC}	21.54	26.87	33.65	42.42	48.56	60.63	73.38	89.31	114.76
	d2 ^{UPVC, CPVC}	21.23	26.57	33.27	42.04	48.11	60.17	72.85	88.7	114.07
	I	22.22	25.40	28.58	31.75	34.93	38.10	44.45	47.63	57.15
DIN	d1	20.3	25.3	32.3	40.3	50.3	63.3	75.35	90.5	110.6
	d2	19.9	24.9	31.9	39.9	49.9	62.9	74.9	89.9	109.9
	I	16	19	22	26	31	38	44	51	61
thd/in	NPT	14	14	11.5	11.5	11.5	11.5	8	8	8
	BSPT	14	14	11	11	11	11	11	11	11
D	61	71	83	111	111	124	163	163	225	
d	13	20	25	36	40	50	70	77	102	
H	137	154	169	204	204	241	321	321	392	

NO.	PART	MATERIAL	QTY
1	BODY 本體	UPVC, CPVC, PP, PVDF	1
2	UNION NUT 螺帽	UPVC, CPVC, PP, PVDF	1
3	END CONNECTOR 外特管	UPVC, CPVC, PP, PVDF	1
4	BALL 球體	UPVC, CPVC, PP, PVDF	1
5	GLAND 卡環	UPVC, CPVC, PP, PVDF	1
6	SEAL 止逆座	EPDM, FPM, NBR	1
7	FLANGE 法蘭片	UPVC, CPVC, PP, PVDF	2
8	FILTER 濾網	UPVC, CPVC, PP, PVDF	1



VP-480 .490 彈簧式 (終端) 逆止閥

Spring Check (Foot) Valve

- Specification: SCH 40
- To install by arrow indication
- Ball sealing design to be able to seal hermetically
- 規格: Schedule 40
- 依流向箭頭指示安裝
- 球體逆止設計, 密閉性佳

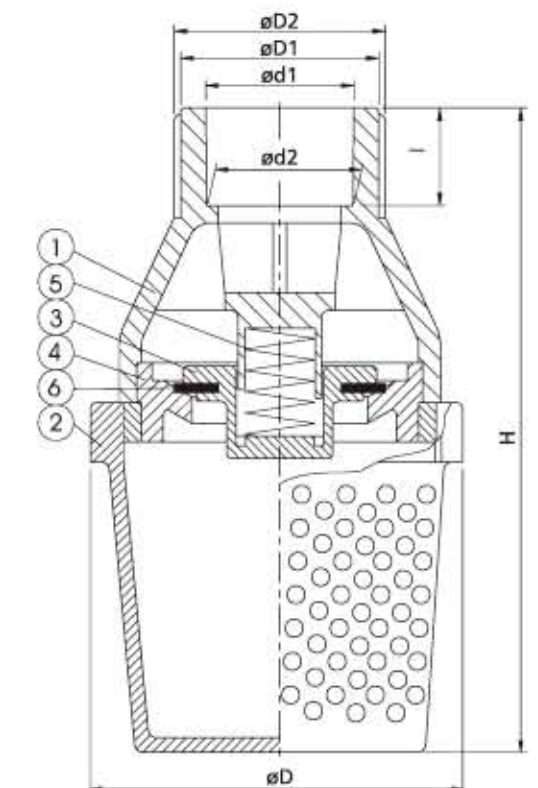
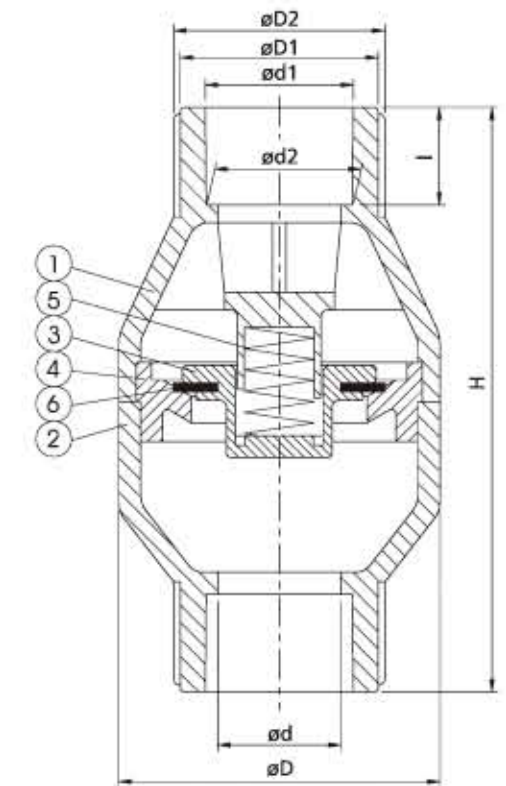
Type 品號	Size 尺寸	Standard 規格	Material 材質	Gasket 墊片	Spring 彈簧	End type 接口
VP-480	1/2"~2"	ANSI, JIS, DIN	PVC	EPDM, FPM	SUS 304	Socket, Threaded
VP-490	1/2"~2"	ANSI, JIS, DIN	PVC	EPDM, FPM	SUS 304	Socket, Threaded

Nom.	SIZE	15mm	20mm	25mm	32mm	40mm	50mm
		(1/2")	(3/4")	(1")	(1-1/4")	(1-1/2")	(2")
JIS	d2	21.70	25.70	31.67	37.57	47.54	59.44
	d1	22.30	26.30	32.33	38.43	48.46	60.56
ANSI	d2	21.23	26.57	33.27	42.04	48.11	60.17
	d1	21.54	26.87	33.65	42.42	48.56	60.63
DIN	d2	19.9	24.9	31.9	39.9	49.9	62.9
	d1	20.3	25.3	32.3	40.3	50.3	63.3
thd./in	NPT	14	14	11.5	11.5	11.5	11.5
	BSPT	14	14	11	11	11	11
	D	56	56	73	91	91	107
	D1	35	35	45	52	60	73
	D2	38	38	48	55	63	76
	d	17	21	28	35	39	52
	H	105	105	133	157	157	178
I	SCH40	17.48	18.26	22.22	23.82	27.38	29.36

NO.	PART	MATERIAL	Q'TY
1	UPPER BODY 上本體	UPVC	1
2	LOWER BODY 下本體	UPVC	1
3	POPPET 支架	UPVC	1
4	CONNECTOR 結合體	UPVC	1
5	SPRING 彈簧	SUS 304	1
6	GASKET 墊片	EPDM	1

Nom.	SIZE	15mm	20mm	25mm	32mm	40mm	50mm
		(1/2")	(3/4")	(1")	(1-1/4")	(1-1/2")	(2")
JIS	d2	21.70	25.70	31.67	37.57	47.54	59.44
	d1	22.30	26.30	32.33	38.43	48.46	60.56
ANSI	d2	21.23	26.57	33.27	42.04	48.11	60.17
	d1	21.54	26.87	33.65	42.42	48.56	60.63
DIN	d2	19.9	24.9	31.9	39.9	49.9	62.9
	d1	20.3	25.3	32.3	40.3	50.3	63.3
thd./in	NPT	14	14	11.5	11.5	11.5	11.5
	BSPT	14	14	11	11	11	11
	D	60	60	83	83	110	124
	D1	35	35	45	52	60	73
	D2	38	38	48	55	63	76
	d	17	21	28	35	39	52
	H	123	123	147	170	170	198
I	SCH40	17.48	18.26	22.22	23.82	27.38	29.36

NO.	PART	MATERIAL	Q'TY
1	BODY 上本體	UPVC	1
2	FILTER 濾網	UPVC	1
3	POPPET 支架	UPVC	1
4	CONNECTOR 結合體	UPVC	1
5	SPRING 彈簧	SUS 304	1
6	GASKET 墊片	EPDM	1



Excellent & Advanced

VP-600 Series

Union Ball Valves 由令球閥

- VP-620
Single Union Ball Valve
單邊由令球閥
- VP-640
Double Union Ball Valve
雙邊由令球閥
- VP-640
Double Flange Ball Valve
雙邊法蘭球閥
- VP-680, 690
Pneumatic / Electric Actuator
Double Union Ball Valve
氣動式/電動式雙由令球閥



VP-620 單邊由令球閥

Single Union Ball Valve

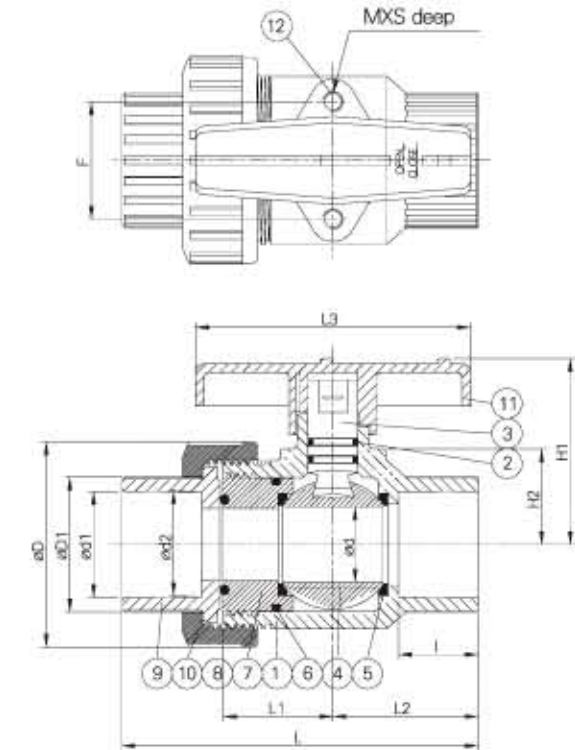
- Pressure rating: 150 PSI @73.4°F (23°C)
- Less flow loss and seal hermetically.
- Fit compactly in spaces
- Actuator could be installed with inserted nut type
- The standard product is without inserted nut
- 工作壓力：150 PSI @73.4°F (23°C)
- 流量損失小，密封性佳
- 體積小，佔用空間小
- 可埋入銅柱加裝自動控制器
- 標準品不埋入銅柱

Type 品號	Size 尺寸	Standard 規格	Material 材質	Seat 墊座	O-ring O環	End type 接口
VP-620	1/2"~2"	ANSI, JIS, DIN	PVC	PTFE	EPDM, FPM	Socket, Threaded
VP-621	1/2"~2"	ANSI, JIS, DIN	CPVC	PTFE	EPDM, FPM	Socket, Threaded



SIZE Nom.	15mm (1/2")	20mm (3/4")	25mm (1")	32mm (1-1/4")	40mm (1-1/2")	50mm (2")	
JIS	d1	22.30	26.30	32.33	38.43	48.46	60.56
	d2	21.70	25.70	31.67	37.57	47.54	59.44
	l	22.22	25.4	28.6	31.8	34.9	38.1
ANSI	d1	21.54	26.87	33.65	42.42	48.56	60.63
	d2	21.23	26.57	33.27	42.04	48.11	60.17
	l	22.22	25.40	28.58	31.75	34.93	38.10
DIN	d1	20.3	25.3	32.3	40.3	50.3	63.3
	d2	19.9	24.9	31.9	39.9	49.9	62.9
	l	16	19	22	26	31	38
thd./in	PT	14	14	11	11	11	11
	NPT	14	14	11.5	11.5	11.5	11.5
D	46.5	55	66	82	98	120	
D1	31	37	45	54	65	79	
d	13	18	23	30	38	48	
L	98	115	125	142	153	187	
L1	30	37	39	44	46	56	
L2	41	47	51	57	65	83	
L3	78	92	100	110	121	147	
H1	47	57	66	74	87	106	
H2	21	26	33	38	40	51	
F	30	33	40	47	52	70	
M	M5	M6	M6	M8	M8	M8	
S	8	8	11	11	11	15	

NO.	PART	MATERIAL	QTY
1	BODY 本體	UPVC, CPVC	1
2	STEM O-RING 中心O環	EPDM, FPM	2
3	STEM 中心柱	UPVC, CPVC	1
4	BALL 球體	UPVC, CPVC	1
5	SEAT 墊座	PTFE	2
6	CARRIER O-RING 內特管O環	EPDM, FPM	1
7	SEAL CARRIER 內特管	UPVC, CPVC	1
8	UNION O-RING 由令O環	EPDM, FPM	1
9	END CONNECTOR 外特管	UPVC, CPVC	1
10	UNION NUT 螺帽	UPVC, CPVC	1
11	HANDLE 把手	ABS, PP+GF, PP	1
12	INSERTED NUT 本體螺絲	C3602	2



VP-640 雙邊由令球閥

Double Union Ball Valve

- Pressure rating:

150 PSI @73.4°F(23°C)

- Standard port design
- Adjustable seat tightness
- Easy to disassemble by handle
- Less on-line down time for replacement / maintenance
- Actuator could be installed with inserted nut type
- Standard Product is without inserted nut
- 工作壓力：150 PSI @73.4°F(23°C)
- 標準流量設計
- 雙由令設計可同時當由令及閥門使用
- 墊座鬆緊可做適度調整
- 不須使用特殊工具即可快速裝配
- 可埋入銅柱加裝自動控制器
- 標準品未埋入銅柱

Type	Size	Standard	Material	Seat	O-ring	End type
品號	尺寸	規格	材質	墊座	O環	接口
VP-640	1/2"~4"	ANSI, JIS, DIN, BS	PVC	PTFE	EPDM, FPM	Socket, Threaded, Flanged
VP-641	1/2"~4"	ANSI, JIS, DIN, BS	CPVC	PTFE	EPDM, FPM	Socket, Threaded, Flanged
VP-643	1/2"~4"	ANSI, JIS, DIN, BS	PVDF	PTFE	EPDM, FPM	Socket, Threaded, Flanged
VP-644	1/2"~4"	ANSI, JIS, DIN, BS	PP	PTFE	EPDM, FPM	Socket, Threaded, Flanged
VP-645	1/2"~4"	ANSI, JIS, DIN, BS	ABS	PTFE	EPDM, FPM	Socket, Threaded, Flanged

● There is no flanged end for BS



SOCKET

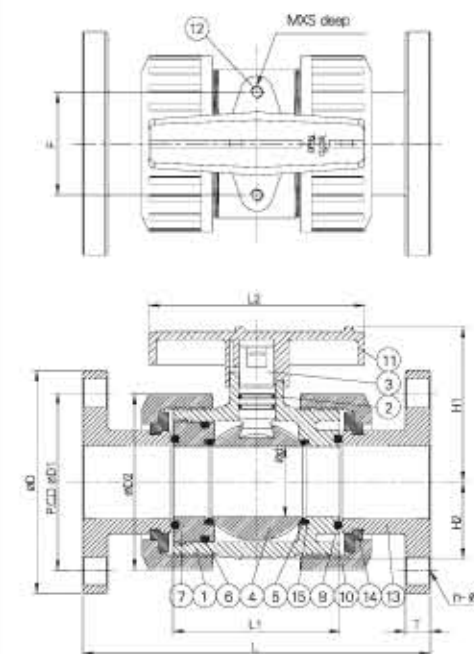
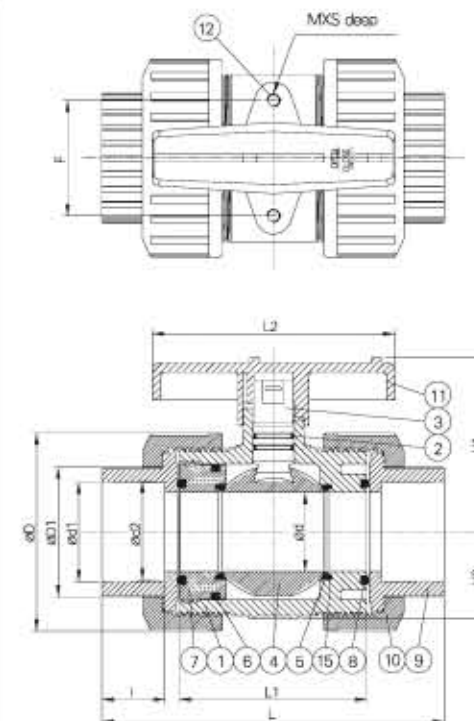
SIZE	15mm (1/2")	20mm (3/4")	25mm (1")	32mm (1-1/4")	40mm (1-1/2")	50mm (2")	65mm (2-1/2")	80mm (3")	100mm (4")
JIS	d1 22.3 d2 21.7 l 22.22	26.3 25.7 25.4	32.33 31.67 28.6	38.43 37.57 31.8	48.46 47.54 34.9	60.56 59.44 39.1	76.60 75.67 61	89.6 88.83 63	114.7 113.77 69
ANSI	d1 21.54 d2 21.23 l 22.22	26.67 26.57 25.4	33.65 33.27 28.58	42.42 42.04 31.75	48.56 48.11 34.93	60.63 60.17 38.10	73.38 72.85 44.45	88.31 87.67 47.63	114.28 114.07 57.15
DIN	d1 16 d2 18.9 l 16	25.3 24.9 19	32.3 31.9 22	40.3 39.9 26	50.3 49.9 31	63.3 62.9 38	75.35 74.9 44	90.5 89.9 61	110.6 109.9 61
BS	d1 16 d2 21 l 22.22	27.18 19 26.35	33.95 22 33.15	42.88 26 41.86	48.68 31 47.85	60.75 38 59.95	76.75 44 74.95	89.35 61 88.45	114.95 61 113.65
thd./in	PT 14	14	11	11	11	11	11	11	11
NPT	14	14	11.5	11.5	11.5	11.5	8	8	8
D	46.5	55	66	82	98	120	140	163	225
D1	31	37	45	54	65	79	92	108	146
d	13	18	23	30	38	48	61	69	99
L	114	135	149	168	175	208	275	304	332
L1	60	73	79	88	95	114	138	158	176
L2	78	92	100	110	121	147	180	224	278
H1	47	57	66	74	87	106	116	130	178
H2	21	26	33	39	41	53	-	-	-
F	30	33	40	47	52	70	-	-	-
M	M5	M6	M6	M8	M8	M6	-	-	-
S	8	8	11	11	11	15	-	-	-

NO	PART NAME	MATERIAL	Q'TY
1	BODY 本體	UPVC,CPVC,PP,PVDF,ABS	1
2	STEM O-RING 中心O環	EPDM,FPM	2
3	STEM 中心柱	UPVC,CPVC,PP,PVDF,ABS	1
4	BALL 球體	UPVC,CPVC,PP,PVDF,ABS	1
5	SEAT 墊座	PTFE	2
6	CARRIER O-RING 內特管O環	EPDM,FPM	1
7	SEAL CARRIER 內特管	UPVC,CPVC,PP,PVDF,ABS	1
8	UNION O-RING 由令O環	EPDM,FPM	2
9	END CONNECTOR 外特管	UPVC,CPVC,PP,PVDF,ABS	2
10	UNION NUT 螺帽	UPVC,CPVC,PP,PVDF,ABS	2
11	HANDLE 把手	ABS,PP+GF,PP	1
12	INSERTED NUT 本體螺帽	C3602	2,4
15	SEAT O-RING 墊座O環	EPDM,FPM	2

FLANGE

SIZE	15mm (1/2")	20mm (3/4")	25mm (1")	32mm (1-1/4")	40mm (1-1/2")	50mm (2")	65mm (2-1/2")	80mm (3")	100mm (4")
JIS	D 95 D1 70 L 143	100 75 172	125 90 167	135 100 190	140 105 212	155 120 234	175 140 259	185 150 304	210 175 372
ANSI	D 89 D1 61 L 143	98 70 172	108 79 187	117 89 190	127 99 212	152 121 234	176 140 259	191 152 304	229 191 372
DIN	D 95 D1 65 L 130	105 75 150	115 95 160	140 100 180	150 110 200	165 125 230	185 145 290	200 160 310	220 180 350
D2	46.5	55	66	82	98	120	140	163	225
d	13	18	23	30	38	48	61	69	99
L1	60	73	79	88	95	114	138	158	176
L2	78	92	100	110	121	147	180	224	278
H1	47	57	66	74	87	106	116	130	178
H2	21	26	33	39	41	53	-	-	-
F	30	33	40	47	52	70	-	-	-
M	M5	M6	M6	M8	M8	M6	-	-	-
S	8	8	11	11	11	15	-	-	-

NO	PART NAME	MATERIAL	Q'TY
1	BODY 本體	UPVC,CPVC,PP,PVDF,ABS	1
2	STEM O-RING 中心O環	EPDM,FPM	2
3	STEM 中心柱	UPVC,CPVC,PP,PVDF,ABS	1
4	BALL 球體	UPVC,CPVC,PP,PVDF,ABS	1
5	SEAT 墊座	PTFE	2
6	CARRIER O-RING 內特管O環	EPDM,FPM	1
7	SEAL CARRIER 內特管	UPVC,CPVC,PP,PVDF,ABS	1
8	UNION O-RING 由令O環	EPDM,FPM	2
10	UNION NUT 螺帽	UPVC,CPVC,PP,PVDF,ABS	2
11	HANDLE 把手	ABS,PP+GF,PP	1
12	INSERTED NUT 本體螺帽	C3602	2,4
13	FLANGE 法蘭片	UPVC,CPVC,PP,PVDF,ABS	2
14	SET RING 卡環	UPVC,CPVC,PP,PVDF,ABS	2
15	SEAT O-RING 墊座O環	EPDM,FPM	2



VP-640 雙邊由令球閥 (N1把手)

Double Union Ball Valve (N1 HANDLE)

● Pressure rating:

150 PSI @73.4°F(23°C)

● Standard port design

● Adjustable seat tightness

● Easy to disassemble by handle

● Less on-line down time for replacement / maintenance

● Actuator could be installed with inserted nut type

● Standard Product is without inserted nut

● 工作壓力：150 PSI @73.4°F(23°C)

● 標準流量設計

● 雙由令設計可同時當由令及閥門使用

● 墊座鬆緊可做適度調整

● 不須使用特殊工具即可快速裝配

● 可埋入銅柱加裝自動控制器

● 標準品未埋入銅柱

Type 品號	Size 尺寸	Standard 規格	Material 材質	Seat 墊座	O-ring O環	End type 接口
VP-640	1/2"~4"	ANSI, JIS, DIN	PVC	PTFE	EPDM, FPM	Socket, Threaded, Flanged
VP-641	1/2"~4"	ANSI, JIS, DIN	CPVC	PTFE	EPDM, FPM	Socket, Threaded, Flanged
VP-644	1/2"~4"	ANSI, JIS, DIN	PP	PTFE	EPDM, FPM	Socket, Threaded, Flanged



SOCKET

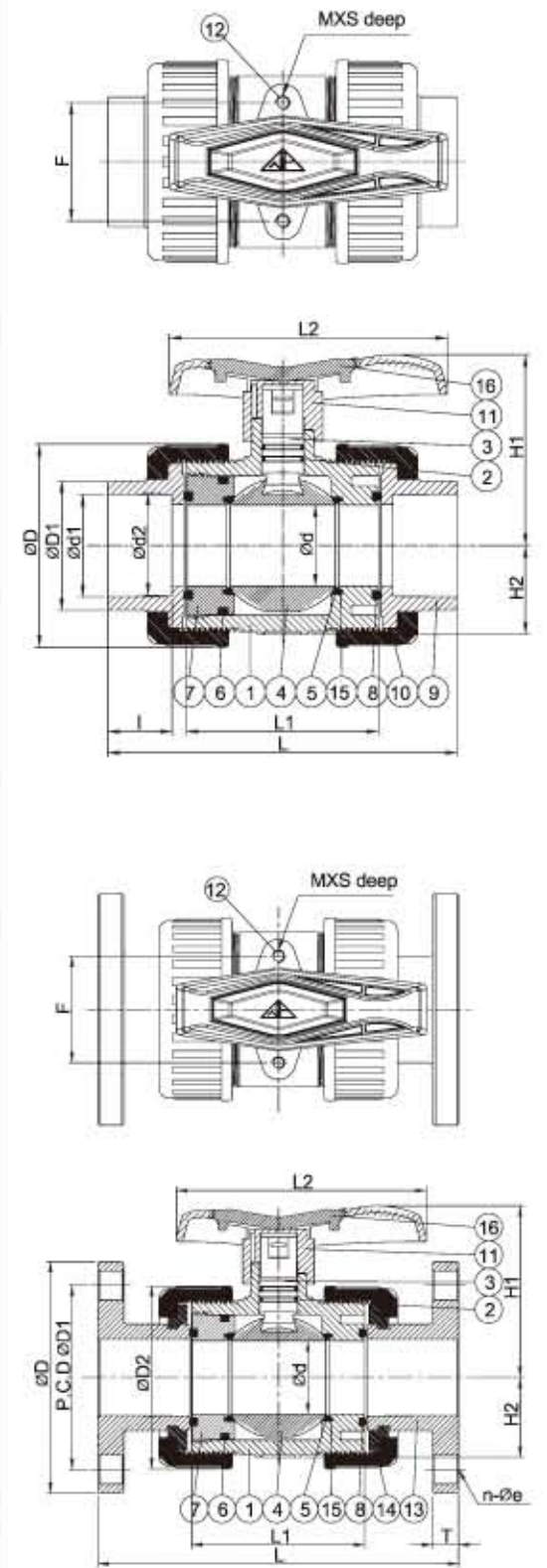
Nom.	SIZE	15mm (1/2")	20mm (3/4")	25mm (1")	32mm (1-1/4")	40mm (1-1/2")	50mm (2")	65mm (2-1/2")	80mm (3")	100mm (4")
JIS	d1	22.3	26.3	32.33	38.43	46.46	60.56	76.6	89.6	114.7
	d2	21.7	25.7	31.67	37.57	47.54	59.44	75.87	88.63	113.77
ANSI	d1	22.22	25.4	28.58	31.75	34.93	38.1	44.45	47.63	57.15
	d2	21.54	26.87	33.65	42.42	48.56	60.63	73.38	89.7	113.78
DIN	d1	22.22	25.4	28.58	31.75	34.93	38.1	44.45	47.63	57.15
	d2	20.3	25.3	32.3	40.3	50.3	63.3	75.35	90.5	110.6
thd./in	NPT	14	14	11.5	11.5	11.5	11.5	8	8	8
	BSPT	14	14	11	11	11	11	11	11	11
D		46.3	55.5	66.5	82	98.5	120	140	163	225
D1		31.3	37.3	44.8	53.8	64	78	91.5	107.5	145.5
d		13	18	23	30	38	48	61	69	99
L		114	136	149	170	176	207	275	304	332
L1		60	73	79	88	95	114	138	158	178
L2		77	95	110	127	143	164	180	225	250.5
H1		46	57	70	75	94	113	127.5	145	182
H2		21	26	33	39	41	53	-	-	-
F		30	33	40	47	52	70	-	-	-
M		M5	M6	M6	M6	M8	M8	-	-	-
S		8	8	11	11	11	15	-	-	-

NO	PART NAME	MATERIAL	QTY
1	BODY 本體	UPVC,CPVC,PP	1
2	STEM O-RING 中心O環	EPDM,FPM	2
3	STEM 中心柱	UPVC,CPVC,PP	1
4	BALL 球體	UPVC,CPVC,PP	1
5	SEAT 墊座	PTFE	2
6	CARRIER O-RING 內特魯O環	EPDM,FPM	1
7	SEAL CARRIER 內特魯	UPVC,CPVC,PP	1
8	UNION O-RING 由令O環	EPDM,FPM	2
9	END CONNECTOR 外特魯	UPVC,CPVC,PP	2
10	UNION NUT 螺帽	UPVC,CPVC,PP	2
11	HANDLE 把手	ABS	1
12	INSERTED NUT 本體螺帽	C3602	2,4
15	SEAT O-RING 墊座O環	EPDM,FPM	2
16	HANDLE COVER 把手蓋	ABS	1

FLANGE

Nom.	SIZE	15mm (1/2")	20mm (3/4")	25mm (1")	32mm (1-1/4")	40mm (1-1/2")	50mm (2")	65mm (2-1/2")	80mm (3")	100mm (4")
JIS	D	95	100	125	135	140	165	175	185	210
	D1	70	75	90	100	105	120	140	150	175
ANSI	D	89	98	108	117	127	152	178	191	229
	D1	61	70	79	89	99	121	140	152	191
DIN	D	95	105	115	140	150	165	185	200	220
	D1	65	75	85	100	110	125	145	160	180
D2	D	46.3	55.5	66.5	82	98.5	120	140	163	225
	d	13	18	23	30	38	48	61	69	99
L1	L	60	73	79	88	95	114	138	158	178
	L2	77	95	110	127	143	164	180	225	250.5
H1	H	46	57	70	75	94	113	127.5	145	182
	H2	21	26	33	39	41	53	-	-	-
F	F	30	33	40	47	52	70	-	-	-
	M	M5	M6	M6	M6	M8	M8	-	-	-
S	S	8	8	11	11	11	15	-	-	-

NO	PART NAME	MATERIAL	QTY
1	BODY 本體	UPVC,CPVC,PP	1
2	STEM O-RING 中心O環	EPDM,FPM	2
3	STEM 中心柱	UPVC,CPVC,PP	1
4	BALL 球體	UPVC,CPVC,PP	1
5	SEAT 墊座	PTFE	2
6	CARRIER O-RING 內特魯O環	EPDM,FPM	1
7	SEAL CARRIER 內特魯	UPVC,CPVC,PP	1
8	UNION O-RING 由令O環	EPDM,FPM	2
10	UNION NUT 螺帽	UPVC,CPVC,PP	2
11	HANDLE 把手	ABS	1
12	INSERTED NUT 本體螺帽	C3602	2,4
13	FLANGE 法蘭片	UPVC,CPVC,PP	2
14	SET RING 卡環	UPVC,CPVC,PP	2
15	SEAT O-RING 墊座O環	EPDM,FPM	2
16	HANDLE COVER 把手蓋	ABS	1



VP-640 雙邊法蘭球閥

Double Flange Ball Valve

- Pressure rating:

150 PSI @73.4°F(23°C)

- Standard port design

- Less on-line down time for replacement / maintenance

- Torque is not adjustable

- 工作壓力：150 PSI @73.4°F(23°C)

- 標準流量設計

- 不須使用特殊工具即可快速裝配

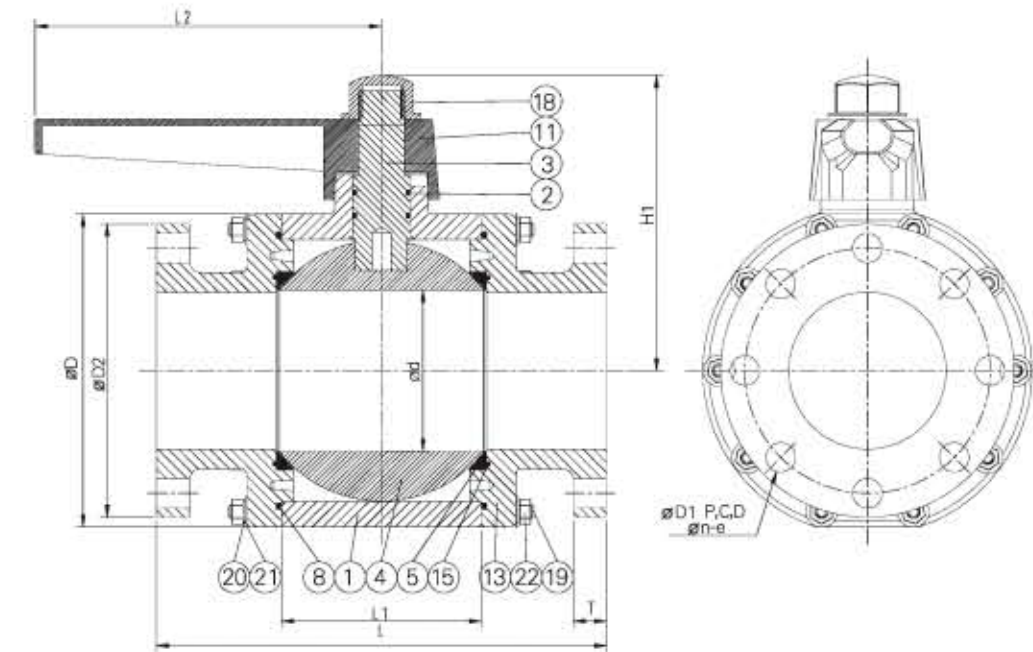
- 扭力不可調整

Type 品號	Size 尺寸	Standard 規格	Material 材質	Seat 墊座	O-ring O環	End type 接口
VP-640	5"~6"	ANSI, JIS, DIN	PVC	PTFE	EPDM, FPM	Flanged
VP-641	5"~6"	ANSI, JIS, DIN	CPVC	PTFE	EPDM, FPM	Flanged



Nom.	SIZE	125mm	150mm
		(5")	(6")
JIS	D1	210	240
	n-ee	8-ø23	8-ø23
ANSI	D1	216	241
	n-ee	8-ø23	8-ø23
DIN	D1	210	240
	n-ee	8-ø18	8-ø22
	D	271	271
	D2	254	280
	d	140	140
	L	387	391
	L1	173	173
	L2	300	300
	T	27	29
	H1	255	255

NO	PART NAME	MATERIAL	QTY
1	BODY 本體	UPVC, CPVC	1
2	STEM O-RING 中心O環	EPDM, FPM	2
3	STEM 中心柱	UPVC, CPVC	1
4	BALL 球體	UPVC, CPVC	1
5	SEAT 墊座	PTFE	2
8	FLANGE O-RING 法蘭片O環	EPDM, FPM	2
11	HANDLE 把手	ABS	1
13	FLANGE 法蘭片	UPVC, CPVC	2
15	SEAT O-RING 墊座O環	EPDM, FPM	2
18	NUT 塑膠螺帽	UPVC, CPVC	1
19	DOUBLE ARMING BOLT 雙頭螺栓	SUS304	10
20	SPRING WASHER 彈簧華司	SUS304	20
21	WASHER 平華司	SUS304	20
22	NUT 螺帽	SUS304	20



Excellent & Advanced

VP-700 Series

Diaphragm Valves 隔膜閥

- VP-710
Diaphragm Valve (Flanged)
法蘭式隔膜閥
- VP-720, 730
Diaphragm Valve
(Spigot, Union - Socket / Threaded)
插管式 / 由令式隔膜閥



VP-710 法蘭式隔膜閥

Diaphragm Valve (Flanged)

- Pressure rating: 1/2"~3" 150 PSI, 4"~6" 72 PSI, 8" 43 PSI @73.4°F(23°C)

(Working pressure is varified by diaphragm material and working temperature.)

- Smooth operation with clear indication of opening / closing through the gauge cover
- Low maintenance cost with replaceable diaphragm and long service life
- Adjustable stopper can avoid over tightness.
- Alternative material for stem and sleeve: SUS 304 / 316
- 工作壓力：1/2"~3" 150 PSI, 4"~6" 72 PSI, 8" 43PSI @73.4°F(23°C)
(因DIAPHRAGM之材質、工作溫度不同而壓力會不同)
- 關閉程度可清楚於透明罩上顯示
- 膜片可替換，保養管理容易
- 可調整的阻擋螺帽設計，可以防止關閉時手輪之壓力過當
- 法蘭片底部有平面設計，便於安裝及放置
- 中心柱及套筒可選用 SUS 304 / 316 材質

Type 品號	Size 尺寸	Standard 規格	Material 材質	Gasket 墊片	O-ring O環	Diaphragm 隔膜片	End type 接口	Bolt 螺栓
VP-710	1/2"~8"	ANSI, JIS, DIN	PVC	PTFE	NBR	EPDM, FPM, PTFE	Flanged	SUS 304 / 316
VP-711	1/2"~8"	ANSI, JIS, DIN	CPVC	PTFE	NBR	EPDM, FPM, PTFE	Flanged	SUS 304 / 316
VP-713	1/2"~8"	ANSI, JIS, DIN	PVDF	PTFE	NBR	EPDM, FPM, PTFE	Flanged	SUS 304 / 316
VP-714	1/2"~8"	ANSI, JIS, DIN	PP	PTFE	NBR	EPDM, FPM, PTFE	Flanged	SUS 304 / 316



Caution!

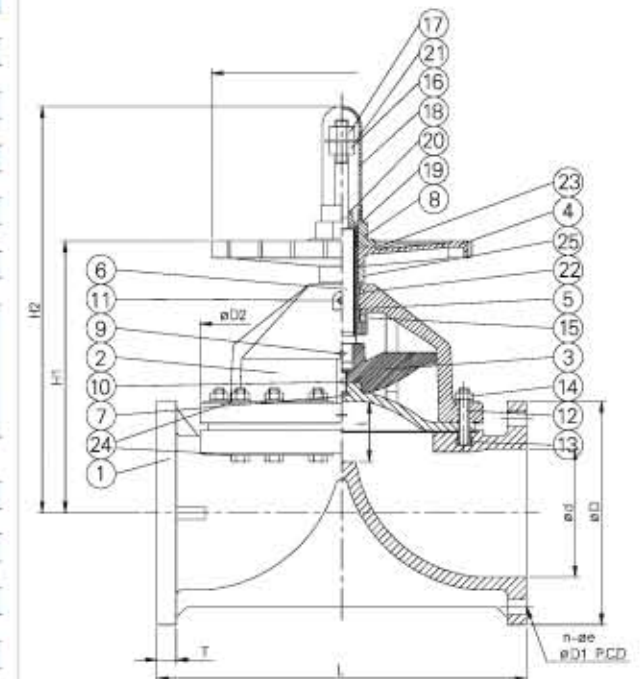
- (1) After installed, should inspect the set nut and stopper (above the stem) frequently, to make sure the nuts are tight.
- (2) The valve is completely closed when handwheel can't turn more with normal torque, but it will cause the unrecoverable divulsion of diaphragm if the handwheel is continuously forced to turn in such above condition!

注意!

- (1) 安裝使用中，應常檢視中心柱上端開度指示螺帽組需保持無鬆動狀態
- (2) 手輪正常旋緊至無法繼續時即代表閥門已完全關閉，切勿再強迫旋轉避免造成無法修復之膜片撕裂現象！

Nom.	SIZE	15mm	20mm	25mm	40mm	50mm	65mm	80mm	100mm	125mm	150mm	200mm
		(1/2")	(3/4")	(1")	(1-1/2")	(2")	(2-1/2")	(3")	(4")	(5")	(6")	(8")
JIS	D	95	100	125	140	155	175	185	210	250	291	343
	D1	70	75	90	105	120	140	150	175	210	240	290
	n-ae	4-ø15	4-ø15	4-ø19	4-ø19	4-ø19	4-ø19	8-ø19	8-ø19	8-ø23	8-ø23	12-ø23
	L	110	120	130	180	210	250	280	340	410	480	570
ANSI	D	89	98	108	127	152	178	191	229	250	291	343
	D1	61	70	79	98	121	140	152	191	216	241	299
	n-ae	4-ø16	4-ø16	4-ø16	4-ø16	4-ø19	4-ø19	4-ø19	8-ø19	8-ø23	8-ø23	8-ø23
	L	108	150	150	176	202	250	264	329	410	480	570
DIN	D	95	105	115	150	165	185	200	220	250	291	343
	D1	65	75	85	110	125	145	160	180	210	240	295
	n-ae	4-ø14	4-ø14	4-ø14	4-ø18	4-ø18	4-ø18	8-ø18	8-ø18	8-ø18	8-ø22	8-ø22
	L	130	150	160	200	230	290	310	350	410	480	570
JIS	UPVC,CPVC	12	13	13	17	20	22	22	23	24	26	30
	PP,PVDF	13	14	14	18	21	23	24	25	25	25	35
ANSI	UPVC,CPVC	12	15	18	15	19	20	20	23	24	26	30
	PP,PVDF	13	16	19	16	20	21	23	25	25	28	35
DIN	UPVC,CPVC	19	20	20	19	22	22	24	24	24	26	30
	PP,PVDF	20	21	21	20	23	23	26	26	25	28	35
D2	54x70	63x78	63x88	125	148	182	203	255	330	392	432	
D3	95	95	110	150	150	210	210	250	405	405	405	
d	13	18	25	41	52	67	78	100	125	148	198	
H1	85	94	98	130	148	189	250	275	334	334	450	
H2	130	137	160	200	225	268	343	383	476	476	627	
l	10	12	15	22	31	39	48	60	70	70	95	

NO	PART	MATERIAL	Q'TY
1	BODY 本體	UPVC,CPVC,PVDF,PP	1
2	BONNET 上蓋	UPVC,CPVC,PVDF,PP,PP+GF	1
3	COMPRESSOR 壓縮筒	PP+GF,PVDF	1
4	HANDWHEEL 把手輪	PP	1
5	SLEEVE 中心套筒	C3602,SUS	1
6	STEM 中心柱	C3602,SUS	1
7	DIAPHRAGM 隔膜片	EPDM,FPM,PTFE	1
8	CAP 迫緊螺帽	UPVC,CPVC,PVDF,PP,PP+GF	1
9	COMPRESSOR PIN 彈簧銷	SUS304	1
10	INSERTED METAL 膜片螺絲	C3602,SUS	1
11	GREASE NIPPLE 黃油嘴	C3602 2-1/2"~8"	1
12	BOLT&WASHER 螺絲組	SUS304,SUS316	1/2"~3/4"----4 SET 1"~2"-----6 SET
13	INSERTED NUT 本體埋螺	C3602,SUS304 SUS316	2-1/2"~4"---8 SET 6"-----12 SET
14	NUT&WASHER 螺帽組	SUS304,SUS316	8"-----16 SET
15	THRUST RING & BEARING 薄片&止推軸承	PTFE 1-1/2"~3",SUS 4"~8"	1
16	STOPPER 阻擋螺帽	SUS304	1
17	SET NUT 固定螺帽	SUS304	1
18	GAUGE COVER 透明罩	AS	1
19	SHEET GASKET 墊片	EPDM	1
20	SHEET RING 中心平華司	SUS304	1
21	INDICATIVE WASHER 指示華司	ABS	1
22	O-RING 上蓋O環	NBR	1
23	NAME PLATE 銘牌	UPVC	1~6
24	PRESSURE PLATE 壓板	SUS304	1~6
25	CASING 套管	UPVC,CPVC,PVDF,PP 8" only	1



VP-720.730 Diaphragm Valve 插管式/由令式隔膜閥 (Spigot, Union – Socket / Threaded)

- Pressure rating: 100 PSI @ 73.4°F (23°C)
- Smooth operation with clear indication of opening / closing through the gauge cover.
- Low maintenance cost with replaceable diaphragm and long service life
- Adjustable stopper can avoid over tightening
- Alternative material for stem and sleeve: SUS 304 / 316
- 工作壓力：100 PSI @ 73.4°F (23°C)
- 關閉程度可清楚於透明罩上顯示
- 膜片可替換，保養管理容易
- 可調整的阻擋螺帽設計，可以防止關閉時手輪之壓力過當
- 底端埋有鋼柱，易於固定
- 中心柱及套筒可選用 SUS 304 / 316 材質

Type 品號	Size 尺寸	Standard 規格	Material 材質	Gasket 墊座	O-ring O環	Diaphragm 隔膜片	End type 接口	Bolt 螺絲
VP-720	1/2"~2"	DIN	PVC	EPDM	NBR	EPDM, FPM, PTFE	Spigot	SUS 304 / 316
VP-721	1/2"~2"	DIN	CPVC	EPDM	NBR	EPDM, FPM, PTFE	Spigot	SUS 304 / 316
VP-723	1/2"~2"	DIN	PVDF	EPDM	NBR	EPDM, FPM, PTFE	Spigot	SUS 304 / 316
VP-724	1/2"~2"	DIN	PP	EPDM	NBR	EPDM, FPM, PTFE	Spigot	SUS 304 / 316
VP-730	1/2"~2"	ANSI, JIS, DIN	PVC	EPDM	NBR / EPDM, FPM	EPDM, FPM, PTFE	Socket, Threaded	SUS 304 / 316
VP-731	1/2"~2"	ANSI, JIS, DIN	CPVC	EPDM	NBR / EPDM, FPM	EPDM, FPM, PTFE	Socket, Threaded	SUS 304 / 316
VP-733	1/2"~2"	ANSI, JIS, DIN	PVDF	EPDM	NBR / EPDM, FPM	EPDM, FPM, PTFE	Socket, Threaded	SUS 304 / 316
VP-734	1/2"~2"	ANSI, JIS, DIN	PP	EPDM	NBR / EPDM, FPM	EPDM, FPM, PTFE	Socket, Threaded	SUS 304 / 316



Caution!

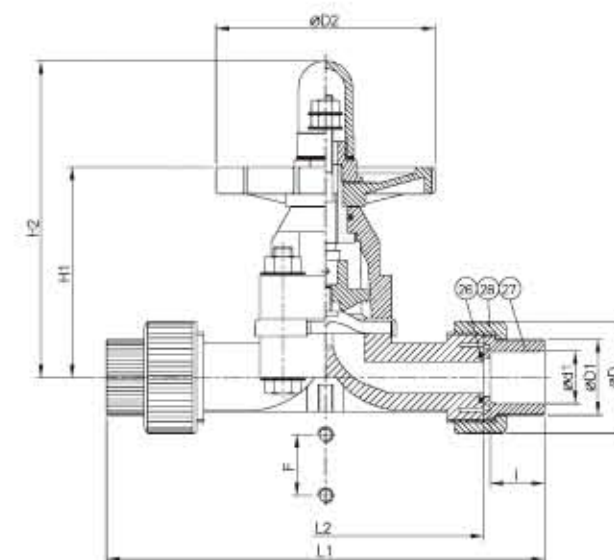
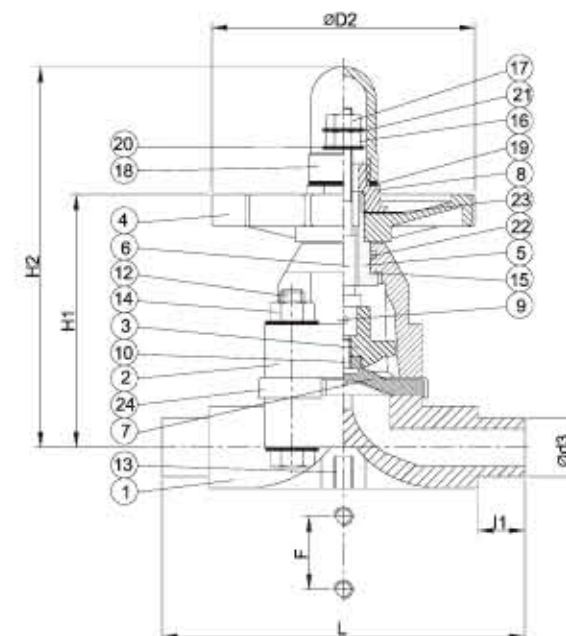
- (1) After installed, should inspect the set nut and stopper (above the stem) frequently, to make sure the nuts are tight.
- (2) The valve is completely closed when handwheel can't turn more with normal torque, but it will cause the unrecoverable division of diaphragm if the handwheel is continuously forced to turn in such above condition!

注意!

- (1) 安裝使用中，應常檢視中心柱上端開度指示螺帽組需保持無鬆動狀態
- (2) 手輪正常旋緊至無法繼續時即代表閥門已完全關閉，切勿再強迫旋轉避免造成無法修復之膜片撕裂現象！

Nom.	SIZE	15mm (1/2")	20mm (3/4")	25mm (1")	40mm (1-1/2")	50mm (2")
JIS	d1	22.30	26.30	32.33	48.46	60.56
	d2	21.70	25.70	31.67	47.54	59.44
	I	22.2	25.4	28.6	34.9	38.1
ANSI	d1	21.54	26.87	33.65	48.56	60.63
	d2	21.23	26.57	33.27	48.11	60.17
	I	22.22	25.4	28.58	34.93	38.1
DIN	d1	20.3	25.3	32.3	50.3	63.3
	d2	19.9	24.9	31.9	49.9	62.9
	I	16	19	22	31	38
BS	d1	21.7	27.15	33.95	48.65	60.75
	d2	21	26.35	33.15	47.85	59.95
	I	22.22	25.4	28.58	34.93	38.1
thd./in	NPT	14	14	11.5	11.5	11.5
	BSPT	14	14	11	11	11
D		46	55	66	97	120
D1		31	37	44	64	78
D2		95	95	110	150	150
d3		20	25	32	50	63
L2		130	150	160	200	230
L1		180	207	224	276	317
L		124	144	154	194	224
H2		128	138	144	220	225
H1		86	95	98	150	148
11	PVC	16	19	22	31	34
	PP, PVDF	14.5	16	18	23.5	27.5
S		11	11	11	15	15
F		25	25	25	45	45
M		M6	M6	M6	M8	M8

NO	PART	MATERIAL	Q'TY
1	BODY 本體	UPVC, CPVC, PVDF, PP	1
2	BONNET 上蓋	UPVC, CPVC, PVDF, PP, PP+GF	1
3	COMPRESSOR 壓縮帽	PP+GF, PVDF	1
4	HANDWHEEL 把手輪	PP	1
5	SLEEVE 中心套筒	C3602, SUS	1
6	STEM 中心柱	C3602, SUS	1
7	DIAPHRAGM 隔膜片	EPDM, FPM, PTFE	1
8	CAP 迫緊螺帽	UPVC, CPVC, PVDF, PP, PP+GF	1
9	COMPRESSOR PIN 彈簧銷	SUS304	1
10	INSERTED METAL 膜片螺絲	C3602, SUS	1
12	BOLT & WASHER 螺絲組	SUS304, SUS316	1/2"~3/4".....4 SET
13	INSERTED NUT 本體埋銅	C3602, SUS304 SUS316	1"~2".....6 SET
14	NUT & WASHER 螺帽組	SUS304, SUS316	
15	THRUST RING 薄片	PTFE 1-1/2"~2"	1
16	STOPPER 阻擋螺帽	SUS304	1
17	SET NUT 固定螺帽	SUS304	1
18	GAUGE COVER 透明罩	AS	1
19	SHEET GASKET 墊片	EPDM	1
20	SHEET RING 中心平華司	SUS304	1
21	INDICATIVE WASHER 指示華司	ABS	1
22	O-RING 上蓋O環	NBR	1
23	NAME PLATE 銘牌	UPVC	1
24	PRESSURE PLATE 壓板	SUS304	1-2
26	O-RING 由令O環	UPVC, CPVC, PVDF, PP	2
27	END CONNECTOR 外特管	UPVC, CPVC, PVDF, PP	2
28	UNION NUT 螺帽	UPVC, CPVC, PVDF, PP	2



Excellent & Advanced

VP-800 Series

Butterfly Valves 蝶閥

- VP-810
Butterfly Valve (Handle type)
把手式蝶閥
- VP-820
Butterfly Valve (Gear Box)
齒輪式蝶閥
- VP-830
Pneumatic Actuator Butterfly Valve
氣動式蝶閥
- VP-840
Electric Actuator Butterfly Valve
電動式蝶閥



VP-810 把手式蝶閥

Butterfly Valve (Handle type)

- Pressure rating: 2"~8" 150 PSI
@73.4°F(23°C)

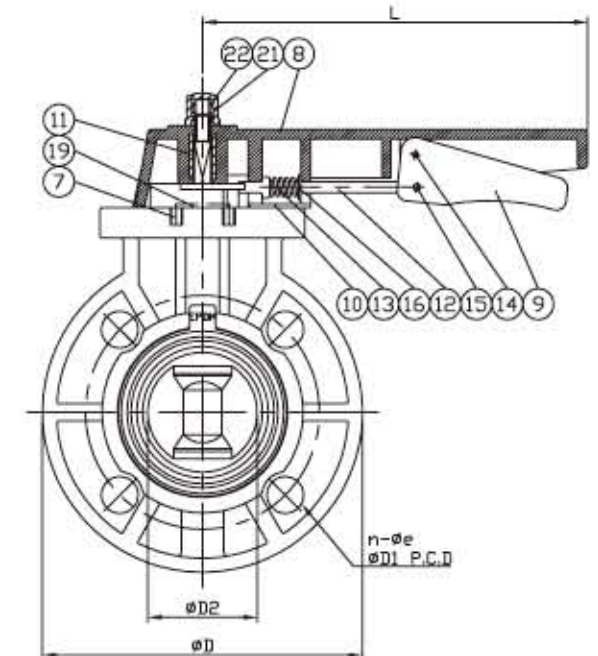
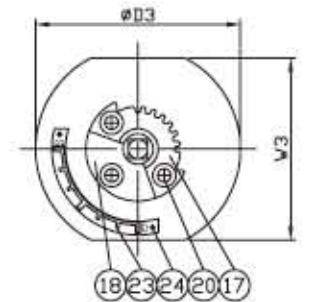
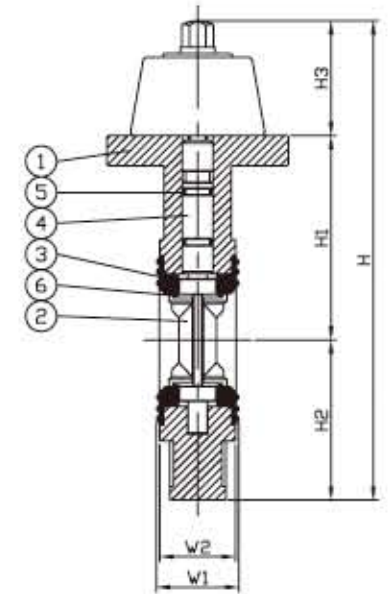
(Standard stem:
SUS 410 + heat process.
Alternative material for stem:
SUS 304/316)

- Compact and light-weight design
- Low flow loss
- The scale on top of the body can clearly indicate the opening angle.
- Ideally suited in a limited piping space
- 工作壓力: 2"~8" 150 PSI
@73.4°F(23°C)
(標準中心柱材質SUS 410 + 熱處理, 亦可選用SUS 304/316 材質)
- 蝶片開啓角度可由刻度清楚顯示, 並可由齒輪片固定
- 全面型墊片密封設計, 安全性佳

Type 品號	Size 尺寸	Standard 規格	Material 材質	Seat 墊座	O-ring O環	Disc 碟片	End type 接口
VP-810	2"~8"	ANSI, JIS, DIN	PVC	EPDM, FPM	EPDM, FPM	PP	Flanged
VP-811	2"~8"	ANSI, JIS, DIN	CPVC	EPDM, FPM	EPDM, FPM	CPVC	Flanged
VP-813	2"~8"	ANSI, JIS, DIN	PVDF	EPDM, FPM	EPDM, FPM	PVDF	Flanged
VP-814	2"~8"	ANSI, JIS, DIN	PP	EPDM, FPM	EPDM, FPM	PP	Flanged

Nom.	SIZE	40mm (1-1/2")	50mm (2")	65mm (2-1/2")	80mm (3")	100mm (4")	125mm (5")	150mm (6")	200mm (8")
JIS	D1	105	120	140	150	175	210	240	290
	n-øe	4-ø19	4-ø19	4-ø19	8-ø19	8-ø19	8-ø23	8-ø23	12-ø23
ANSI	D1	99	121	140	152	191	216	241	299
	n-øe	4-ø16	4-ø19	4-ø19	4-ø19	8-ø19	8-ø23	8-ø23	8-ø23
DIN	D1	110	125	145	160	180	210	240	295
	n-øe	4-ø18	4-ø18	4-ø18	8-ø18	8-ø18	8-ø18	8-ø22	8-ø22
D		148	165.5	185	200	229	257	288	343
D2		49.5	56.5	69.5	79.5	102.5	129.5	149.5	202
D3		99	106	119	124	134.5	164	170	201
L		199	199	199	199	252	297	297	297
H		233	248	267	278.5	318	374	407.5	467
H1		96	106	115	118	138.5	163.5	179	208.5
H2		74	82.75	92.5	100	114.5	128.5	144	171.5
H3		63	59.5	59.5	61	65.5	81.5	84.5	84.5
W1		39	42.5	47	47	57	68	70	85
W2		35.7	39	44	44	54	63	65	79
W3		90	94	94	94	99.5	110	101	122

NO	PART NAME	MATERIAL	Q'TY
1	BODY 本體	UPVC, CPVC, PVDF, PP	1
2	DISC 閘門	UPVC, CPVC, PVDF, PP	1
3	SEAT 墊座	EPDM, FPM	1
4	STEM 中心柱	SUS	1
5	STEM O-RING 中心O環	EPDM, FPM	2
6	DISC O-RING 閘門O環	EPDM, FPM	2
7	INSERT NUT 本體埋銅	C3602	3
8	LARGE HANDLE 大把手	PP	1
9	SMALL HANDLE 小把手	PP	1
10	SPRING LOCK 把手蓋	PP	1
11	HANDLE INSERT 方型鐵	STAINLESS STEEL	1
12	HANDLE LEVER 鏈桿	SUS304	1
13	SPRING 彈簧	SUS304	1
14	SPRING PIN 彈簧銷	SUS304	1
15	SPRING PIN 彈簧銷	SUS304	1
16	WASHER 平華司	SUS304	1
17	LOCKING PLATE 齒輪片	SUS304	1
18	GEAR SEAT 齒輪座	UPVC, PVDF	1
19	STEM WASHER 中心平華司	SUS304	1
20	BOLT 齒輪螺絲	SUS304	3
21	NUT 螺帽	UPVC, PVDF	1
22	INSERT NUT 螺帽埋銅	C3602	1
23	LEVEL 刻度指示牌	SUS304	1
24	RIVET 鑄釘	SUS304	2



VP-820 齒輪式蝶閥 Butterfly Valve (Gear Box)

- Pressure rating : 2"~10" 150 PSI,
12" 100 PSI,
14,16" 86 PSI,
18" 72 PSI,
20"~24" 51 PSI
@73.4°F(23°C)

(Standard stem:

SUS 410 + heat process

Alternative material for stem:

SUS 304/316)

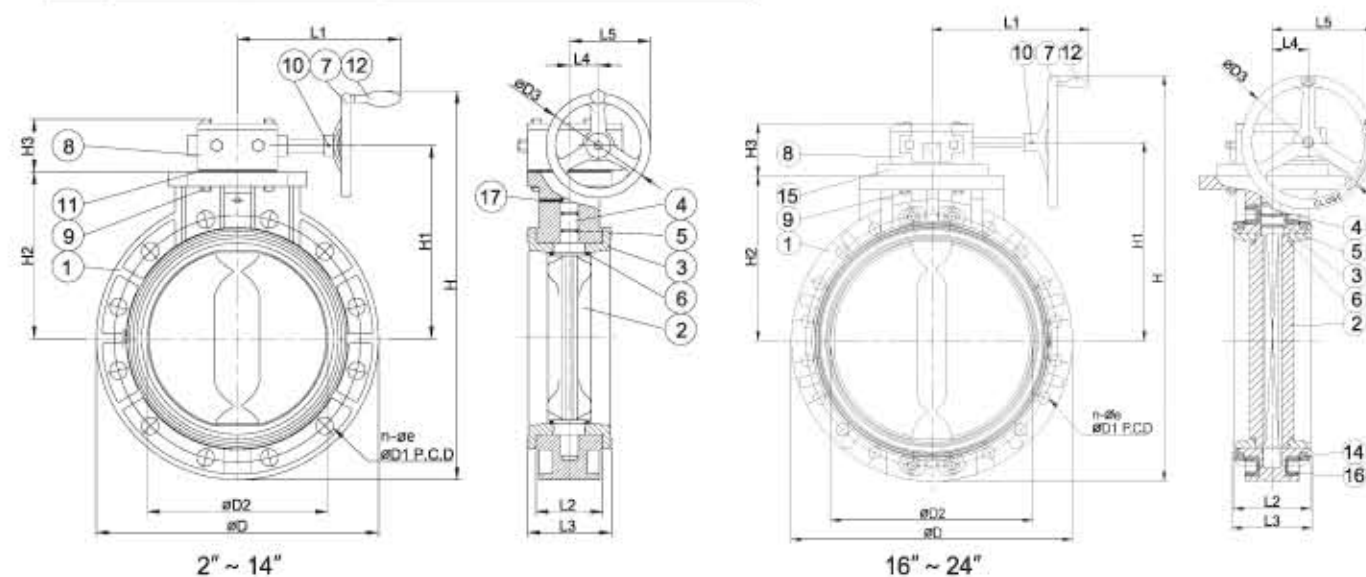
- Lower torque and seal hermetically
- Low flow loss
- The opening angle of the disc could be seen clearly through the arrow on top of the gear box.
- Ideally suited in a limited piping space
- Easy to mount actuator with flat zone design on the top of valve
- 工作壓力 : 2"~10" 150 PSI,
12" 100PSI,
14", 16" 86PSI,
18" 72PSI,
20"~24" 51PSI
@73.4°F(23°C)
- (標準中心柱材質SUS 410+熱處理, 亦可選用SUS 304/316)
- 低扭力, 密閉效果佳
- 蝶片開啓角度可由箭頭指標清楚顯示

Type 品號	Size 尺寸	Standard 規格	Material 材質	Seat 墊座	O-ring O環	Disc 碟片	End type 接口
VP-820	2"~24"	ANSI, JIS, DIN	PVC	EPDM, FPM	EPDM, FPM	PP	Flanged
VP-821	2"~24"	ANSI, JIS, DIN	CPVC	EPDM, FPM	EPDM, FPM	CPVC	Flanged
VP-823	2"~24"	ANSI, JIS, DIN	PVDF	EPDM, FPM	EPDM, FPM	PVDF	Flanged
VP-824	2"~24"	ANSI, JIS, DIN	PP	EPDM, FPM	EPDM, FPM	PP	Flanged



SIZE Nom.	50mm (2")	65mm (2-1/2")	80mm (3")	100mm (4")	125mm (5")	150mm (6")	200mm (8")	250mm (10")	300mm (12")	350mm (14")	400mm (16")	450mm (18")	500mm (20")	600mm (24")
JIS	D1 n-e	120 4-e19	140 4-e19	150 8-e19	175 8-e19	210 8-e23	240 8-e23	290 12-e23	355 12-e25	400 16-e25	445 16-e25	510 16-e27	565 20-e27	730 20-e27
ANSI	D1 n-e	121 4-e19	140 4-e19	152 4-e19	191 8-e19	216 8-e23	241 8-e23	299 8-e23	362 12-e25	432 12-e25	476 12-e25	540 16-e29	578 16-e32	750 20-e35
DIN	D1 n-e	125 4-e18	145 4-e18	160 8-e18	180 8-e18	210 8-e18	240 8-e22	295 8-e22	350 12-e22	400 12-e22	460 16-e23	515 16-e26	565 20-e27	725 20-e30
D		185.5	185	200	229	257	288	343	411	490	530	596	630	813
D2		56.5	69.5	79.5	102.5	129.5	149.5	202	255	310	355	397.5	452.5	603
D3		159	159	159	159	159	202	202	202	250	250	300	300	406
H		289	307.5	310	352.5	396.5	464	524	588	709	733	868	910	1166
H1		127	135.5	138	158.5	196.5	221	253.5	283.5	340	342	420	445	556
H2		105	113.5	116	136.5	163.5	177	209.5	239.5	298	300	345	370	480
H3		53	53	53	53	75	77.5	77.5	77.5	78	78	120	120	143
L1		140	140	140	140	140	284.5	284.5	330	330	353	353	390	390
L2		39	44	44	54	63	65	79	104	127	120.5	160	171	201
L3		42.5	47	47	57	68	70	85	109	131.5	127	166	179	210
L4		41.5	41.5	41.5	41.5	41.5	60	60	60	60	60	81	81	120
L5		121	121	121	121	121	161	161	161	185	185	231	231	323

NO	PART NAME	MATERIAL	Q'TY
1	BODY 本體	UPVC, CPVC, PVDF, PP	1
2	DISC 閘門	UPVC, CPVC, PVDF, PP	1
3	SEAT 墊座	EPDM, FPM	1
4	STEM 中心柱	SUS	1
5	STEM O-RING 中心O環	EPDM, FPM	2
6	DISC O-RING 閘門O環	EPDM, FPM	2
7	HAND-WHEEL 把手輪	FC	1
8	GEAR BOX 齒輪箱	FC	1
9	BOLT & WASHER 螺絲組	SUS304	4
10	SPRING PIN 彈簧銷	SUS	1
11	PACKING 墊片	EPDM 6"~14"	1
12	SMALL HANDLE 小把手	STEEL	1
13	KEY 方鍵	SUS	1
14	SEAL 加強環	FC 14"~24"	2
15	METAL PAD 固定座	S45C 16"~24"	1
16	INSERTED NUT 本體埋銷	C3602 16"~24"	4~8
17	PIN 定位銷	SUS	1



VP-830 氣動式蝶閥

Pneumatic Actuator Butterfly Valve

- Pressure rating : 2"~10" 150 PSI, 12" 100 PSI, 14", 16" 86 PSI, 18" 72 PSI, 20"~24" 51 PSI @73.4°F(23°C)

(Standard stem: SUS 410 + heat process. Alternative material for stem: SUS 304/316)

- Low flow loss
- The opening angle of the disc could be seen clearly through the position indicator.
- Fast / Efficient operation for automatic control system in a limited piping space
- Pneumatic actuator specification meets with ISO 5211, VDI / VDE 3845, DIN 3337, NAMUR, easy to assemble solenoid valve, limit switches and other accessories.
- For double acting and spring return actuators the maximum supply pressure is 8 Bar(116PSI) minimum supply pressure is 2.5 Bar(36PSI) (Refer to actuator manufacturer's data if necessary)

- 工作壓力 : 2"~10" 150 PSI, 12" 100PSI, 14", 16" 86PSI, 18" 72PSI, 20"~24" 51PSI @73.4°F(23°C)

(標準中心柱材質SUS 410 + 熱處理,亦可選用SUS 304 / 316 材質)

- 蝶片開啓角度可經由位址顯示器取
- 氣動驅動器規格符合ISO 5211, DIN 3337, VDI / VDE 3845, NAMUR可加裝電磁閥、微動開關及其他附屬配件。
- 氣動驅動器建議最大進氣空壓 8 Bar (116PSI), 最小 2.5 Bar (36PSI) (詳細資料可參考氣壓缸製造商資料)

Type 品號	Size 尺寸	Standard 規格	Material 材質	Seat 墊座	O-ring O環	Disc 碟片	End type 接口
VP-830	2"~24"	ANSI, JIS, DIN	PVC	EPDM, FPM	EPDM, FPM	PP	Flanged
VP-831	2"~24"	ANSI, JIS, DIN	CPVC	EPDM, FPM	EPDM, FPM	CPVC	Flanged
VP-833	2"~24"	ANSI, JIS, DIN	PVDF	EPDM, FPM	EPDM, FPM	PVDF	Flanged
VP-834	2"~24"	ANSI, JIS, DIN	PP	EPDM, FPM	EPDM, FPM	PP	Flanged

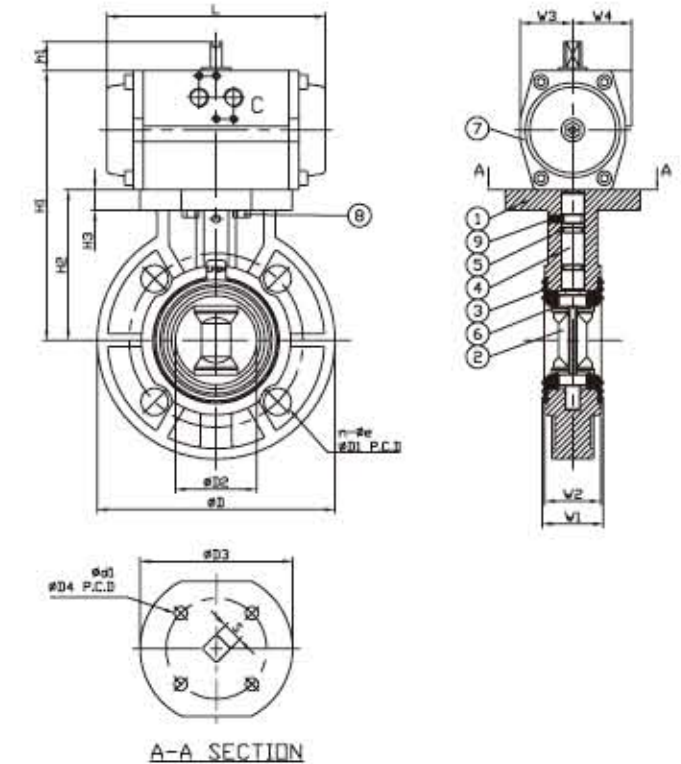


SIZE	50mm (2")	65mm (2-1/2")	80mm (3")	100mm (4")	125mm (5")	150mm (6")	200mm (8")	250mm (10")	300mm (12")	350mm (14")	400mm (16")	450mm (18")	500mm (20")	600mm (24")	
JIS	D1	120	140	150	175	210	240	290	355	400	445	510	565	620	730
	n-e	4-e19	4-e19	8-e19	8-e19	8-e23	8-e23	12-e23	12-e25	16-e25	16-e27	20-e27	20-e27	24-e33	
ANSI	D1	121	140	152	191	216	241	299	362	432	476	540	578	635	750
	n-e	4-e19	4-e19	4-e19	8-e19	8-e23	8-e23	8-e23	12-e25	12-e25	12-e29	16-e29	16-e32	20-e32	20-e35
DIN	D1	125	145	160	180	210	240	295	350	400	460	515	565	620	725
	n-ee	4-e18	4-e18	8-e18	8-e18	8-e18	8-e22	8-e22	12-e22	12-e22	16-e23	16-e26	20-e27	20-e27	20-e30
D	165.5	185	200	229	257	288	343	411	490	530	596	630	696	813	
D2	56.5	89.5	79.5	102.5	129.5	149.5	202	255	310	355	397.5	452.5	500	603	
D3	106	119	124	134.5	164	170	201	204	236	236	300	328	328	328	
H2	105	113.5	116	136.5	163.5	177	209.5	239.5	298	300	345	370	410	480	
H3	14.5	14	14	14	14.5	19	23.5	22	24.5	25.5	32	32	34	43	
W1	42.5	47	47	57	68	70	85	109	131.5	127	166	179	189.5	210	
W2	39	44	44	54	63	65	79	104	127	120.5	160	171	180	201	
T: DIN259 BSP	1/4"	1/4"	1/4"	1/4"	1/4"	1/4"	1/4"	1/4"	1/4"	1/4"	1/4"	1/2"	1/2"	1/2"	
DOUBLE ACTING	d1	7	7	9	9	9	11	11	11	13	-	-	-	-	
	D4	50	50	70	70	70	102	102	102	125	-	-	-	-	
	h1	20	20	20	20	20	20	30	30	30	-	-	-	-	
	H1	189.75	198.5	217.75	238.5	278.5	304	366.5	396.5	494	-	-	-	-	
SPRING RETURN	L	158.5	158.5	210.5	210.5	247.5	268.5	345	345	437.5	-	-	-	-	
	S	14	14	17	17	17	22	27	27	27	-	-	-	-	
	W3	36	36	42	42	48	55	66.5	66.5	81	-	-	-	-	
	W4	47	47	52	52	57	67	82	82	99	-	-	-	-	
DOUBLE ACTING	d1	7	7	9	9	11	11	13	13	-	-	-	-	-	
	D4	50	50	70	70	102	102	125	125	-	-	-	-	-	
	h1	20	20	20	20	20	30	30	30	-	-	-	-	-	
	H1	206.75	215.5	230.75	251.5	290.5	334	405.5	435.5	-	-	-	-	-	
SPRING RETURN	L	210.5	210.5	247.5	247.5	268.5	345	437.5	437.5	-	-	-	-	-	
	S	17	17	17	17	22	27	27	27	-	-	-	-	-	
	W3	42	42	48	48	55	66.5	81	81	-	-	-	-	-	
	W4	52	52	57	57	67	82	99	99	-	-	-	-	-	

SIZE	PNEUMATIC ACTUATOR	
	DOUBLE ACTING	SPRING RETURN
2"	AT101UDA	AT201USR
2-1/2"	AT101UDA	AT201USR
3"	AT201UDA	AT251USR
4"	AT201UDA	AT251USR
5"	AT251UDA	AT301USR
6"	AT301UDA	AT401USR
8"	AT351UDA	AT451USR
10"	AT451UDA	AT501USR
12"	AT501UDA	AT551USR
14"	AT551UDA	AT651USR
16"	AT601UDA	AT651USR
18"	AT601UDA	AT701USR
20"	AT651UDA	AT701USR
24"	AT651UDA	AT701USR

- 備註:
1. 上述氣動及電動驅動器(Pneumatic Actuator)搭配型號及圖形僅供參考,可依客戶需求選用。
 2. 相關規格資料歡迎進一步向本公司洽詢。

NO	PART NAME	MATERIAL	QTY
1	BODY 本體	UPVC, CPVC, PVDF, PP	1
2	DISC 碟門	UPVC, CPVC, PVDF, PP	1
3	SEAT 墊座	EPDM, FPM	1
4	STEM 中心柱	SUS	1
5	STEM O-RING 中心O環	EPDM, FPM	2
6	DISC O-RING 碟門O環	EPDM, FPM	2
7	PNEUMATIC ACTUATOR 氣壓缸	EXTRUDED ALUMINUM ALLOY	1
8	BOLT & WASHER 螺絲組	SUS	4
9	PIN 定位銷	SUS	1



VP-840 電動式蝶閥

Electric Actuator Butterfly Valve

- Pressure rating: 2"~10" 150 PSI, 12" 100 PSI, 14", 16" 86 PSI, 18" 72PSI, 20"~24" 51PSI @73.4°F(23°C)

(Standard stem: SUS 410 + heat process. Alternative material for stem: SUS 304/316)

- Low flow loss
- The opening angle of the disc could be seen clearly through the position indicator.
- Fast / Efficient operation for automatic control system in a limited piping space
- Electric actuator operation voltage 1-phase 110 / 220 V, 3-phase 220 / 380 / 460 V
- Electric actuator could manually operate w/o clutch and break
- 工作壓力：2"~10" 150 PSI, 12" 100PSI, 14", 16" 86PSI, 18" 72PSI, 20"~24" 51PSI @73.4°F(23°C)

(標準中心柱材質SUS 410 + 熱處理, 亦可選用SUS 304/316 材質)

- 蝶片開啓角度可經由位址顯示器取得
- 操作電壓：AC 單相 110 / 220V 三相 220 / 380 / 460V
- 電動換手動操作時, 不須離合器及煞車即可操作

Type 品號	Size 尺寸	Standard 規格	Material 材質	Seat 墊座	O-ring O環	Disc 碟片	End type 接口
VP-840	2"~24"	ANSI, JIS, DIN	PVC	EPDM, FPM	EPDM, FPM	PP	Flanged
VP-841	2"~24"	ANSI, JIS, DIN	CPVC	EPDM, FPM	EPDM, FPM	CPVC	Flanged
VP-843	2"~24"	ANSI, JIS, DIN	PVDF	EPDM, FPM	EPDM, FPM	PVDF	Flanged
VP-844	2"~24"	ANSI, JIS, DIN	PP	EPDM, FPM	EPDM, FPM	PP	Flanged



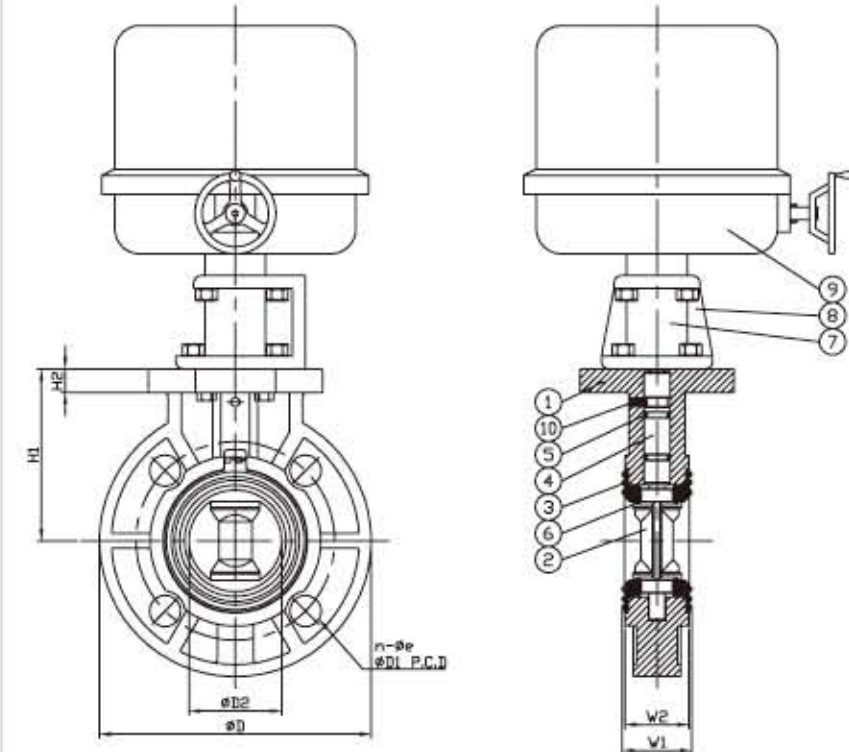
Nom.	SIZE	50mm (2")	65mm (2-1/2")	80mm (3")	100mm (4")	125mm (5")	150mm (6")	200mm (8")	250mm (10")	300mm (12")	350mm (14")	400mm (16")	450mm (18")	500mm (20")	600mm (24")
JIS	D1	120	140	150	175	210	240	290	355	400	445	510	565	620	730
	n-øe	4-ø19	4-ø19	8-ø19	8-ø19	8-ø23	8-ø23	12-ø23	12-ø25	16-ø25	16-ø25	16-ø27	20-ø27	20-ø27	24-ø33
ANSI	D1	121	140	152	191	216	241	299	362	432	476	540	578	635	750
	n-øe	4-ø19	4-ø19	4-ø19	8-ø19	8-ø23	8-ø23	8-ø23	12-ø25	12-ø25	12-ø29	16-ø29	16-ø32	20-ø32	20-ø35
DIN	D1	125	145	160	180	210	240	295	350	400	460	515	565	620	725
	n-øe	4-ø18	4-ø18	8-ø18	8-ø18	8-ø18	8-ø22	8-ø22	12-ø22	12-ø22	16-ø23	16-ø26	20-ø27	20-ø27	20-ø30
D		165.5	185	200	229	257	288	343	411	490	530	596	630	696	813
D2		56.5	69.5	79.5	102.5	129.5	149.5	202	255	310	355	397.5	452.5	500	603
H1		105	113.5	116	136.5	163.5	177	209.5	239.5	298	300	345	370	410	480
H2		14.5	14	14	14	14.5	19	23.5	22	24.5	25.5	32	32	34	43
W1		42.5	47	47	57	68	70	85	109	131.5	127	166	179	189.5	210
W2		39	44	44	54	63	65	79	104	127	120.5	160	171	180	201

NO	PART NAME	MATERIAL	Q'TY
1	BODY 本體	UPVC,CPVC,PVDF,PP	1
2	DISC 閘門	UPVC,CPVC,PVDF,PP	1
3	SEAT 墊座	EPDM,FPM	1
4	STEM 中心柱	SUS	1
5	STEM O-RING 中心O環	EPDM,FPM	2
6	DISC O-RING 閘門O環	EPDM,FPM	2
7	COUPLING 連接頭	SUS	1
8	MOUNTING PAD 固定架	SUS	1
9	ELECTRIC ACTUATOR 電動箱	ALUMINUM ALLOY POWDER COATED	1
10	PIN 定位銷	SUS	1

ELECTRIC ACTUATOR	Single-phase		Three-phase		
	110V	220V	220V	380V	440V
BM2	V	V	V	V	V
OMA	V	V	X	X	X
OM2	V	V	V	V	V
OM3	V	V	V	V	V
OM4	V	V	V	V	V
OM5	V	V	V	V	V
OM6	V	V	V	V	V
OM7	V	V	V	V	V
OM8	V	V	V	V	V

SIZE	ELECTRIC ACTUATOR	
	WITH HANDWHEEL	WITHOUT WITH HANDWHEEL
2"	OM2	OMA
2-1/2"	OM2	OMA
3"	OM2	OMA
4"	OM3	BM2
5"	OM3	-
6"	OM4	-
8"	OM4	-
10"	OM5	-
12"	OM6	-
14"	OM7	-
16"	OM	-

備註：
1. 上述電動驅動器(Electric Actuator)搭配型號及圖形僅供參考，可依客戶需求選用。
2. 18"以上及相關規格資料歡迎進一步向本公司洽詢。



Excellent & Advanced

VP-900 Series

Molded-In-Place
Ball Valve
簡單型球閥

- VP-900. 910
Compact Ball Valve
簡單型球閥



VP-900 .910 簡單型球閥

Compact Ball Valve

- Pressure rating:
150 PSI @73.4°F(23°C)
- low flow loss
- Low cost and most convenient
- 工作壓力：150 PSI @73.4°F(23°C)
- 流量損失小
- 操作方便，使用成本低廉

Type 品號	Size 尺寸	Standard 規格	Material 材質	Seat 墊座	O-ring O環	End type 接口
VP-900	3/8"~2"	ANSI, JIS, DIN	UPVC	PTFE	EPDM, FPM	Socket, Threaded, Flanged
VP-901	3/8"~2"	ANSI, JIS, DIN	CPVC	PTFE	EPDM, FPM	Socket, Threaded, Flanged
VP-910	3/8"~4"	ANSI, JIS, DIN	UPVC	EPDM	EPDM, FPM	Socket, Threaded, Flanged
VP-911	3/8"~2"	ANSI, JIS, DIN	CPVC	EPDM	EPDM, FPM	Socket, Threaded, Flanged
VP-915	1/2"~2"	ANSI, JIS, DIN	ABS	EPDM	EPDM, FPM	Socket, Threaded, Flanged



I.P.S. DIM.

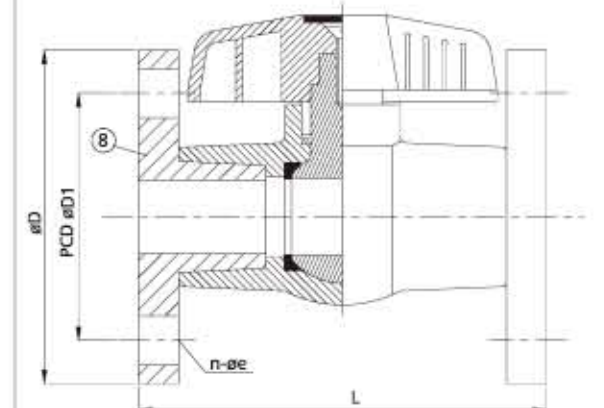
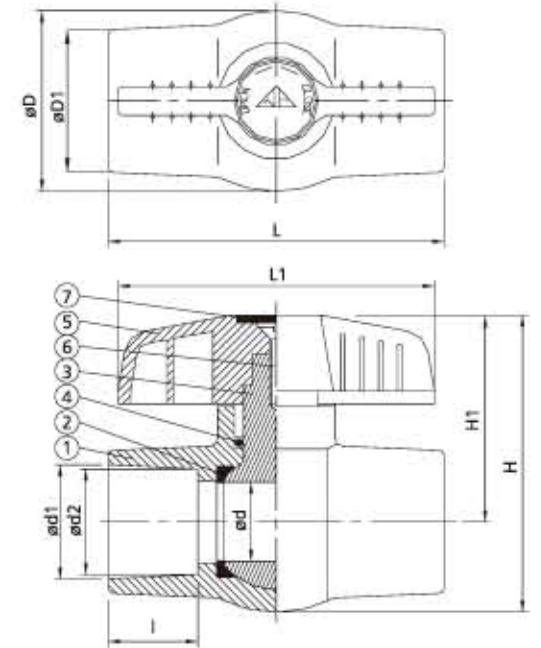
Nom.	SIZE	10mm	15mm	20mm	25mm	32mm	40mm	50mm	65mm	80mm	100mm
		(3/8")	(1/2")	(3/4")	(1")	(1-1/4")	(1-1/2")	(2")	(2-1/2")	(3")	(4")
JIS	d1	18.4	22.30	26.30	32.33	38.43	48.46	60.56	76.6	89.6	114.7
	d2	17.78	21.70	25.70	31.67	37.57	47.54	59.44	75.87	88.83	113.77
ANSI	d1	17.45	21.54	26.87	33.65	42.42	48.56	60.63	73.38	89.31	114.78
	d2	17.04	21.23	26.57	33.27	42.04	48.11	60.17	72.85	88.78	114.75
										88.67	114.04
DIN	d1	16.3	20.3	25.3	32.3	40.3	50.3	63.3	75.35	90.5	110.6
	d2	15.9	19.9	24.9	31.9	39.9	49.9	62.9	74.9	89.9	109.9
BS	d1	17.5	21.7	27.15	33.95	42.65	48.65	60.75	75.75	89.35	114.95
	d2	16.8	21	26.35	33.15	41.85	47.85	59.95	74.95	88.45	113.65
I	DIN	14	16	19	22	26	31	38	44	51	61
	ANSI, JIS	19.05	22.22	25.4	28.57	31.75	34.93	38.1	44.45	47.63	57.15
thd. /in	BSPT	19	14	14	11	11	11	11	11	11	11
	NPT	18	14	14	11.5	11.5	11.5	11.5	8	8	8
D		31	38	49	57	63	75	92	110	133	170
D1		24	30	38	45	54	62	77	92	106	135
d		12	14	20	25	30	36	46.5	58	77	98
L		68	83	95	106	114	130	147	204	229	300
L1		60	70	88	100	100	109	134	178	224	276
H		49	64	79	95	99	115	135	160	190	233
H1		34	43	54	65	67	78	89	105	124	148

C.T.S. DIM.

Nom.	SIZE	Tubing	Tubing	Tubing	Tubing	Tubing	Tubing
		(1/2")	(3/4")	(1")	(1-1/4")	(1-1/2")	(2")
D	32	39.6	52	57	63	79	
D1	24	30	38	45	54	65.6	
d	12.4	18.3	23.5	25	30	36	
d1	16.08	22.45	28.83	35.2	41.66	54.38	
d2	15.72	22.10	28.47	34.85	41.2	53.92	
L	68	82	95	106	114	144.5	
L1	60	70	88	100	100	109	
H	49	64	79	93	98	115	
H1	34	44	54	65	67	78	
I	12.7	17.78	22.86	27.94	33.02	43.18	

Nom.	SIZE	15mm	20mm	25mm	32mm	40mm	50mm	65mm	80mm	100mm
		(1/2")	(3/4")	(1")	(1-1/4")	(1-1/2")	(2")	(2-1/2")	(3")	(4")
JIS	D	95.5	100	124.5	134.5	140.5	155	175	184.5	209.5
	D1	70	75	90	100	105	120	140	150	175
	n-øe	4-ø15	4-ø15	4-ø19	4-ø19	4-ø19	4-ø19	4-ø19	8-ø19	8-ø19
ANSI	D	89	98	108	117	127	155	178.5	190.5	230
	D1	60	70	79	89	98	121	140	152	191
	n-øe	4-ø16	4-ø16	4-ø16	4-ø16	4-ø16	4-ø19	4-ø19	4-ø19	8-ø19
DIN	D	95.5	100	124.5	134.5	140.5	155	175	184.5	209.5
	D1	65	75	85	100	110	125	145	160	180
	n-øe	4-ø15	4-ø15	4-ø15	4-ø19	4-ø19	4-ø19	4-ø19	8-ø19	8-ø19
L	112	127	136	150	166	187	248	274	343	

NO.	PART	MATERIAL	QTY
1	BODY 本體	UPVC, CPVC, ABS	1
2	SEAT 墊座	EPDM, PTFE	2
3	BALL 球體	UPVC, CPVC, ABS, PP	1
4	O-RING O環	EPDM, FPM	1
5	HANDLE 把手	ABS	1
6	BOLT 螺絲	ZINC-PLATED STEEL	1
7	HANDLE CAP 把手蓋	ABS	1
8	FLANGE 法蘭片	UPVC, CPVC, ABS, PP	2
9	ZINC-PLATED INSERTED 鍍鋅柱	ZINC-PLATED STEEL 3"-4"	1



PRODUCTS PROPERTIES

An experienced manufacturer specializing in Plastic Valves and Pipe Fittings

● REFERENCE RANGE OF TEMPERATURE

Material	Polyvinyl Chloride	Chlorinated Polyvinyl Chloride	Polypropylene	Poly Vinylidene Fluoride	Ethylene Propylene Rubber	Polytetra-fluoroethylene (Trade name, Teflon®)	Fluoro Rubber (Trade name Viton®)
Abbreviation	PVC	CPVC	PP	PVDF	EPDM	PTFE	FPM
General chemical resistance	Resistant against most of acids, alkalis and salts of high to low concentration level. However, the material tends to be attacked by some chemicals - such as aromatic hydrocarbon, ketones, esters and chlorinated hydrocarbon.	Resistance properties are nearly the same as PVC. Having a high heat-resistance, this is serviceable in the temperature range higher than the PVC.	Not stable against strong acids such as concentrated nitric acid and chrome acid mixture, but this is resistant against other acids, alkalis and salts. Resistant against many organic solvents (specifically the solvent with active group), but tends to be attacked by chlorine-containing solvents, aliphatic series and aromatic hydro-carbon.	Highly resistant up to a high temperature range against ordinary acids & salts and organic chemicals, but broken down by fuming sulfuric acid and strong basic amines. Also, the use conditions with ketone, amide, ester, organic solvent and alkali are limited.	Provided with an excellent ozone-resistance and chemical-resistance. Comparatively resistant against ketone and ester, but less resistant against aromatic & aliphatic families, and gasoline and oil.	Resistant against ordinary acid and alkali, and not dissolved nor changed by ordinary solvent medium. Attacked by melted alkali metal and in a high temperature, by fluorine and chlorine trifluoride.	Most chemical-resistant among all rubber families. Has a good resistance against strong oxidizing acid such as concentrated sulfuric acid and nitric acid; resistant against aliphatic and aromatic families and oils, but attacked by ketones, ammonia anhydride, concentrated caustic soda, etc.
Max. Service temperature	Continu-ous	5° ~ 50°C	0° ~ 90°C	-20° ~ 120°C	-10° ~ 130°C	-20° ~ 250°C	-5° ~ 150°C
	Short hours	60°C	100°C	90°C	130°C	150°C	200°C

● CHEMICAL RESISTANCE OF MATERIAL

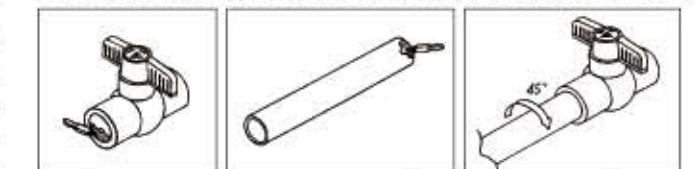
Chemicals	Concentration (%)	Temperature (°C)	Material							
			PVC	CPVC	PP	PVDF	PTFE	EPDM	FPM	
Sodium chloride	Saturated Water Solution	40	⊙	⊙	⊙	⊙	⊙	⊙	⊙	⊙
		60	⊙	⊙	⊙	⊙	⊙	⊙	⊙	⊙
		80	⊙	⊙	⊙	⊙	⊙	⊙	⊙	⊙
Hydrochloric acid	35	40	⊙	⊙	⊙	⊙	⊙	⊙	⊙	⊙
		60	⊙	⊙	⊙	⊙	⊙	⊙	⊙	⊙
		80	⊙	⊙	⊙	⊙	⊙	⊙	⊙	⊙
Caustic soda	50	40	⊙	⊙	⊙	⊙	⊙	⊙	⊙	⊙
		60	⊙	⊙	⊙	⊙	⊙	⊙	⊙	⊙
		80	⊙	⊙	⊙	⊙	⊙	⊙	⊙	⊙
Chromic acid	20	40	⊙	⊙	⊙	⊙	⊙	⊙	⊙	⊙
		60	⊙	⊙	⊙	⊙	⊙	⊙	⊙	⊙
		80	⊙	⊙	⊙	⊙	⊙	⊙	⊙	⊙
Acetic acid	50	40	⊙	⊙	⊙	⊙	⊙	⊙	⊙	⊙
		60	⊙	⊙	⊙	⊙	⊙	⊙	⊙	⊙
		80	⊙	⊙	⊙	⊙	⊙	⊙	⊙	⊙
Soda hypochlorite	13	40	⊙	⊙	⊙	⊙	⊙	⊙	⊙	⊙
		60	⊙	⊙	⊙	⊙	⊙	⊙	⊙	⊙
		80	⊙	⊙	⊙	⊙	⊙	⊙	⊙	⊙
Nitric acid	50	40	⊙	⊙	⊙	⊙	⊙	⊙	⊙	⊙
		60	⊙	⊙	⊙	⊙	⊙	⊙	⊙	⊙
		80	⊙	⊙	⊙	⊙	⊙	⊙	⊙	⊙
Toluene		40	⊙	⊙	⊙	⊙	⊙	⊙	⊙	⊙
		60	⊙	⊙	⊙	⊙	⊙	⊙	⊙	⊙
		80	⊙	⊙	⊙	⊙	⊙	⊙	⊙	⊙
Hydrogen sulfide	Aqueous Solution	40	⊙	⊙	⊙	⊙	⊙	⊙	⊙	⊙
		60	⊙	⊙	⊙	⊙	⊙	⊙	⊙	⊙
		80	⊙	⊙	⊙	⊙	⊙	⊙	⊙	⊙
Sulfuric acid	90	40	⊙	⊙	⊙	⊙	⊙	⊙	⊙	⊙
		60	⊙	⊙	⊙	⊙	⊙	⊙	⊙	⊙
		80	⊙	⊙	⊙	⊙	⊙	⊙	⊙	⊙

⊙ Not affected △ Slightly affected but serviceable
 ○ Negligibly affected × Not serviceable

● BASIC PROPERTIES OF PLASTICS

Item	Unit	Rigid PVC (UPVC)	Heat-resistant (CPVC)	Polypropylene (PP)	Vinylidene fluoride (PVDF)
Specific gravity	—	1.40	1.55	0.92	1.77
Tensile strength	kgf/cm ²	480 and over	500 and over	250 and over	500 and over
Tensile strength (at 90°C)	kgf/cm ²	—	250 and over	150 and over	250 and over
Tensile Modulus	kgf/cm ²	3x10 ⁴	3.2x10 ⁴	1.2x10 ⁴	1.5x10 ⁴
Bending strength	kgf/cm ²	800 and over	900 and over	250 and over	660 and over
Poisson's ratio	—	0.38	0.38	0.44	0.28
Heat distortion temperature (4.6kg /W)	°C	74	110	105	145
Temperature limit for continuous service	°C	50	90	80	120
Linear thermal coefficient of expansion	/°C	7x10 ⁻⁵	7x10 ⁻⁵	12x10 ⁻⁵	12x10 ⁻⁵
Thermal conductivity	kcal/mh°C	0.13	0.12	0.10	0.11

● GENERAL INSTALLATION INSTRUCTION



1. Apply sufficient cement on the inner wall of valve and outside wall of pipe, please do not apply too much cement, for it may obstruct the fluid flowing in the valve.
2. Immediately join the valve and pipe while the surfaces are still wet, and turn 45°. Hold the valve and pipe together for approximately 10 seconds.
3. As our compact ball valves are NSF certified products, we recommend to use NSF certified cement only.
4. Different cure time and set time will be followed by sizes.

